

REV	DESCRIPTION	DATE	APPROVED
1	Initial Release	05/02/2018	DJD
2	Title Block - Address & Misc.	25/05/2020	MJRM
3	Title Block Revision	16/01/2026	MAL
4	Model Updated	10/02/2026	MAL



Kingsley Plastics Limited,
The Airfield, Winkleigh,
Devon, EX19 8DW

T:01837 83154

www.kingsleyplastics.co.uk

CABINET DETAILS

Surface Finish	Exterior Colour	Interior Colour
Smooth	RAL 6005	RAL 6005

Specification Summary:

Construction:
4pc (Single Skin)

Overall Lock Specification Summary:
1/4 Turn - Tri Lobe Cabinet Lock

Ventilation Specification Summary:
Louvered Door

Roof Type:
Angled

Drawing Title

GC7+ : GRP Cabinet
FREE STANDING - General Assembly

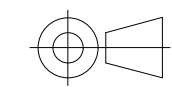
Customer Details:

Customer: -
Project Name: -
Customer Ref: -
Works Order No: -

Optional Extras:

- Other Colours Available on Request
- Hasp & Staple Lock [St/St] Alternative
- PRS35 Specification
- Supports U65 & U100 Meters (Rigs/Modules)
- Low & Medium Pressure

3rd Angle Proj.



General Manufacturing Tolerances:
Millimetres

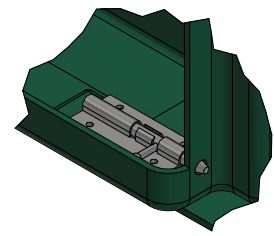
LINEAR:		
0-500mm	+/- 1.0mm	
500-2000mm	+/- 1.5mm	
2000mm +	+/- 3.0mm	

Internal Size (mm):	W 1605	D 795	H 1375
External Size (mm):	W 1615	D 860	H 1820

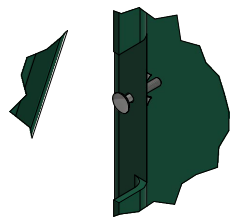
Filename: GC7+-FS_Assm-04_B.dwg

Drawn By: M.A.Lilley Date: 10/02/2026

Approx Weight (Kg): 83.000 Current Rev: 4

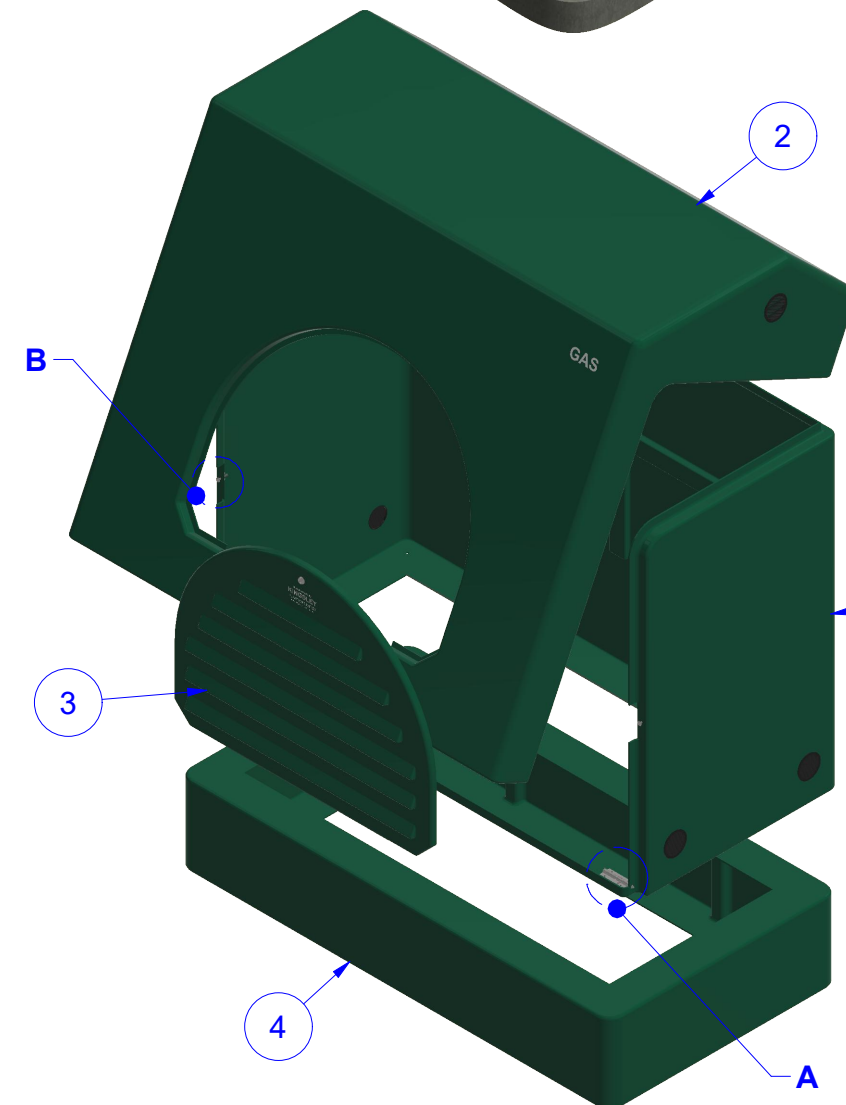
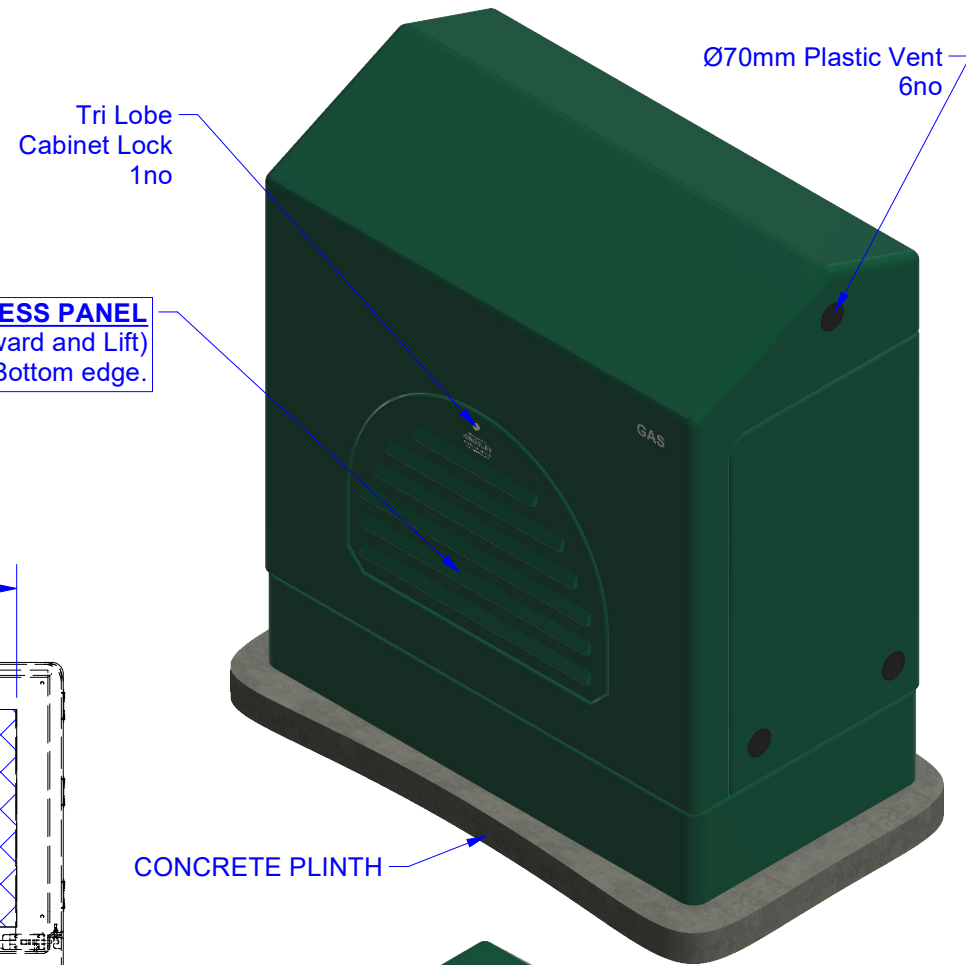
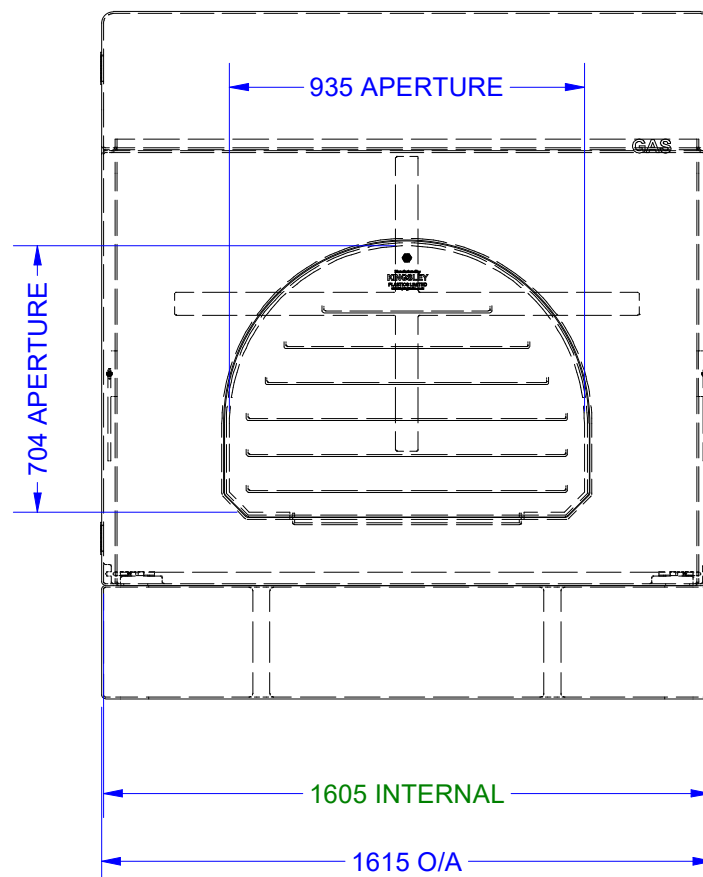
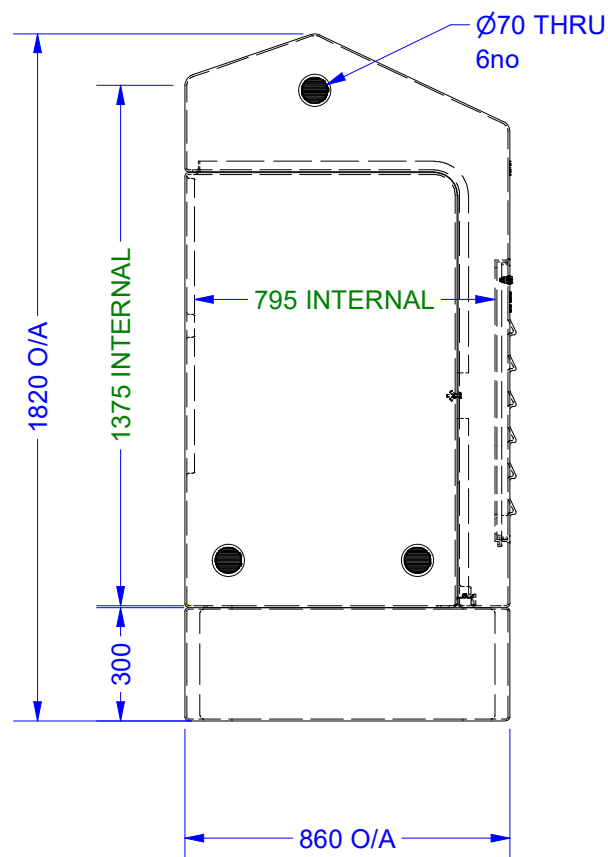
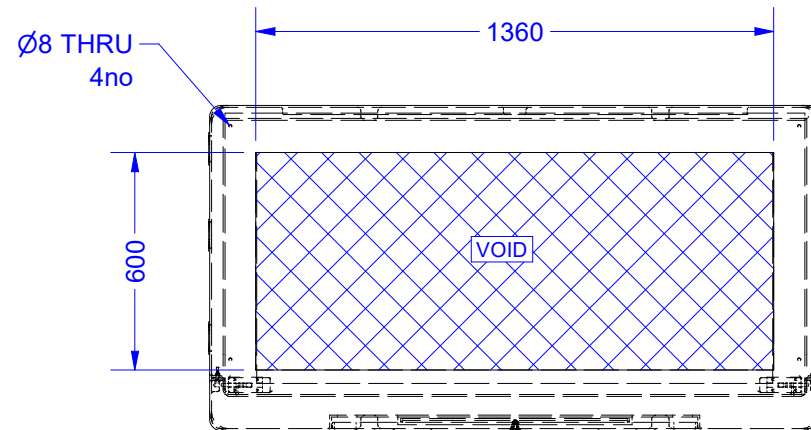


DETAIL A
Sliding Bolt Locks
2no



DETAIL B
Explosion Relief Bolts
2no

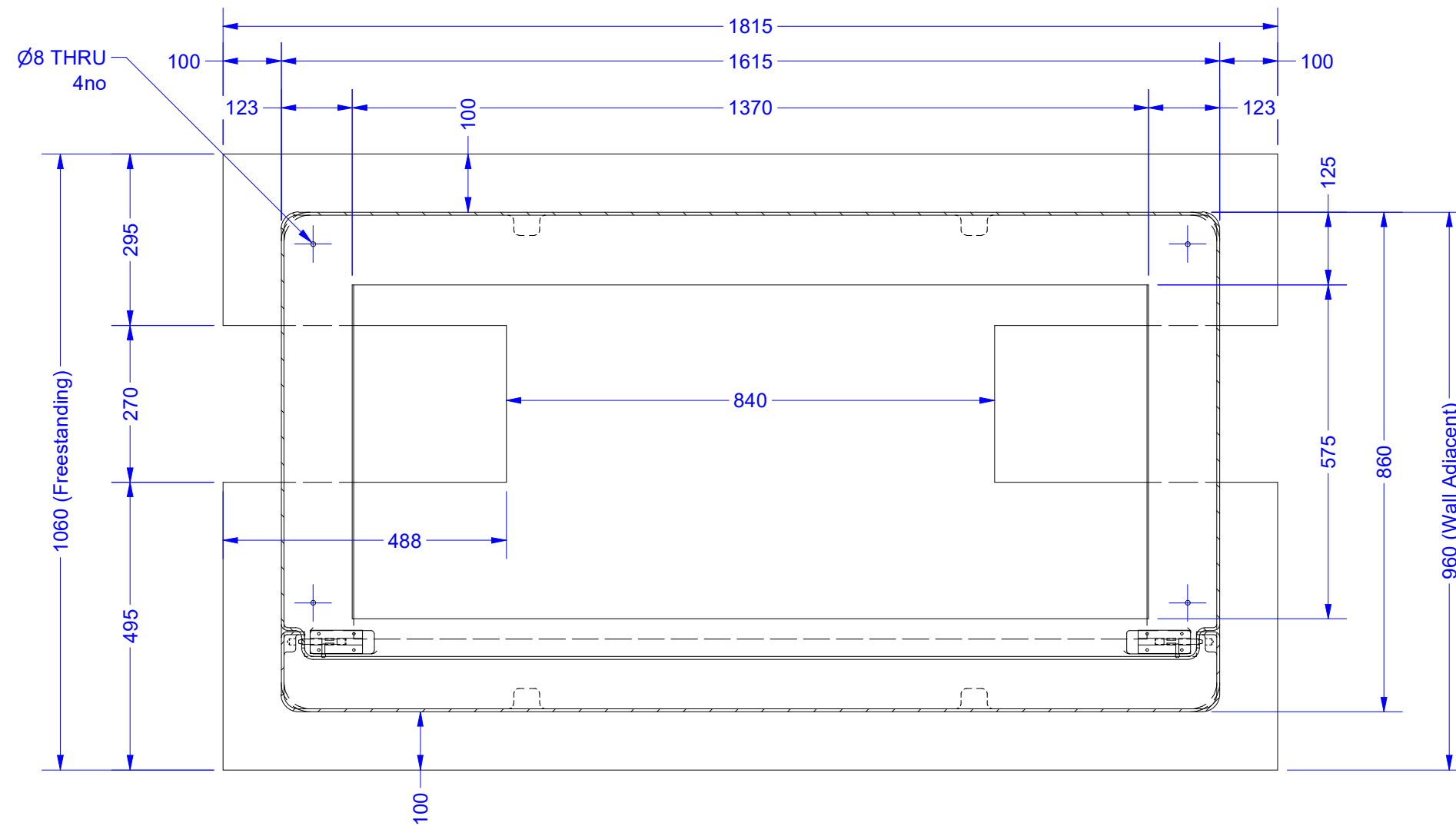
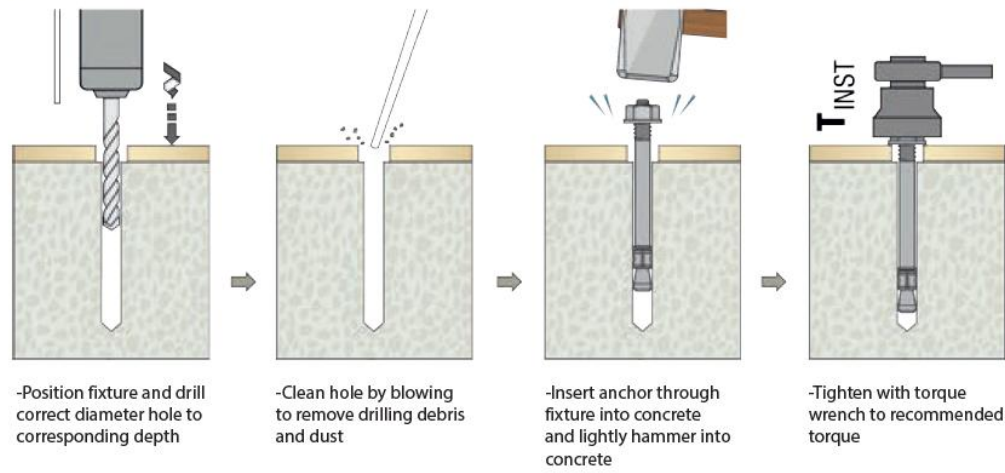
FRONT ACCESS PANEL
(Removal Action - Unlock, Lean "TOP" Forward and Lift)
Location Hook on Bottom edge.



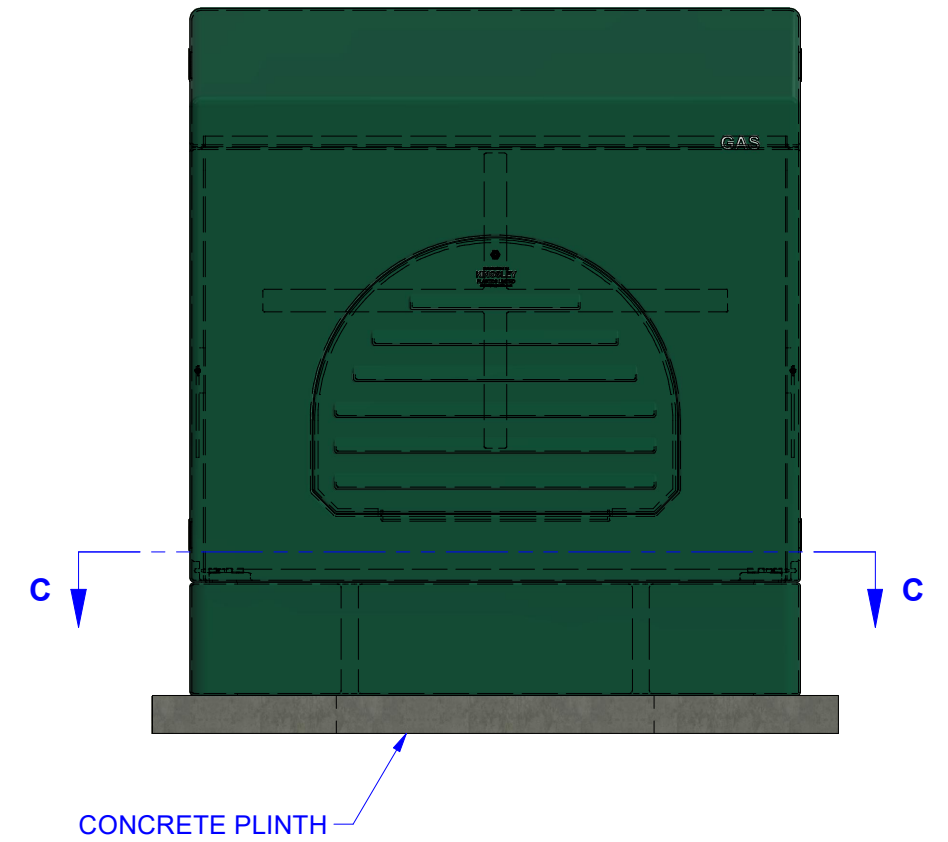
DO NOT SCALE IF IN DOUBT - ASK!!

Plinth Recommendations

INSTALLATION INSTRUCTIONS



SECTION C-C
SCALE 1 / 10



Supplied with
M8x75mm Anchor Bolts
[AWA08075] 4no



Kingsley Plastics Limited,
The Airfield, Winkleigh,
Devon, EX19 8DW

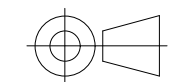
T:01837 83154

www.kingsleyplastics.co.uk

Drawing Title

GC7+ : GRP Cabinet
FREE STANDING - General Assembly

3rd Angle Proj.



General Manufacturing Tolerances:
Millimetres

LINEAR:
0-500mm +/- 1.0mm
500-2000mm +/- 1.5mm
2000mm + +/- 3.0mm

Filename: GC7+-FS_Assm-04_B.dwg

Drawn By: M.A.Lilley

Date: 10/02/2026

Approx Weight (Kg): **83.000**

Current Rev: **4**

DO NOT SCALE IF IN DOUBT - ASK!!