

REV	DESCRIPTION	DATE	APPROVED
1	Initial Release	05/02/2018	DJD
2	Title Block - Address & Misc	25/05/2020	MJRM
3	Title Block Revision	16/01/2026	MAL
4	Model Updated	10/02/2026	MAL



Kingsley Plastics Limited,  
The Airfield, Winkleigh,  
Devon, EX19 8DW

T:01837 83154

www.kingsleyplastics.co.uk

CABINET DETAILS		
Surface Finish	Exterior Colour	Interior Colour
Smooth	RAL 6005	RAL 6005

**Specification Summary:**

Construction:  
4pc (Single Skin)

Overall Lock Specification Summary:  
1/4 Turn - Tri Lobe Cabinet Lock

Ventilation Specification Summary:  
Louvered Door

Roof Type:  
Angled

**Drawing Title**

**GC7 : GRP Cabinet**  
FREE STANDING - General Assembly

**Customer Details:**

Customer: -  
Project Name: -  
Customer Ref: -  
Works Order No: -

**Optional Extras:**

- Other Colours Available on Request
- Hasp & Staple Lock [St/St] Alternative
- PRS35 Specification
- Supports U65 & U100 Meters (Rigs/Modules)
- Low & Medium Pressure

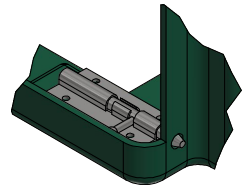
3rd Angle Proj. 	General Manufacturing Tolerances: Millimetres		
	LINEAR:		
	0-500mm	+/- 1.0mm	
	500-2000mm	+/- 1.5mm	
	2000mm +	+/- 3.0mm	

Internal Size (mm):	W 1605	D 795	H 1375
External Size (mm):	W 1615	D 860	H 1670

Filename: GC7-FS\_Assm-04\_B.dwg

Drawn By: M.A.Lilley Date: 10/02/2026

Approx Weight (Kg): 80.000 Current Rev: 4

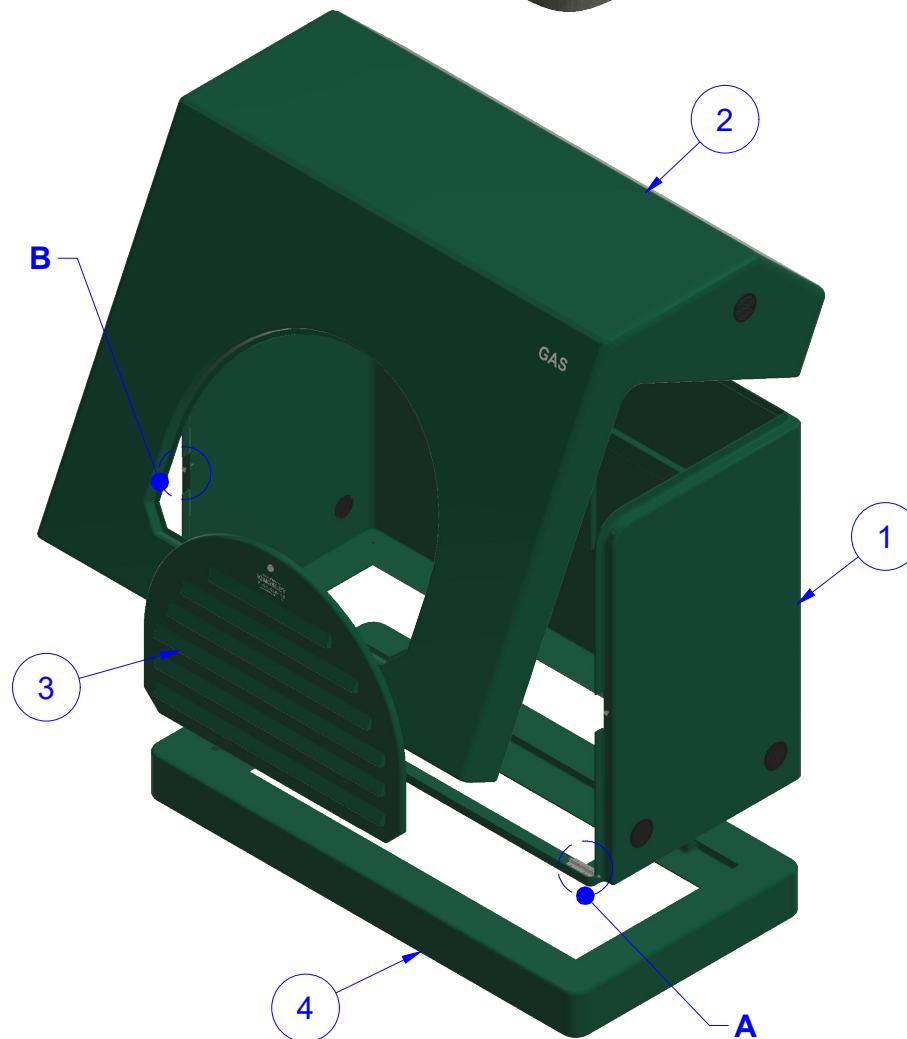
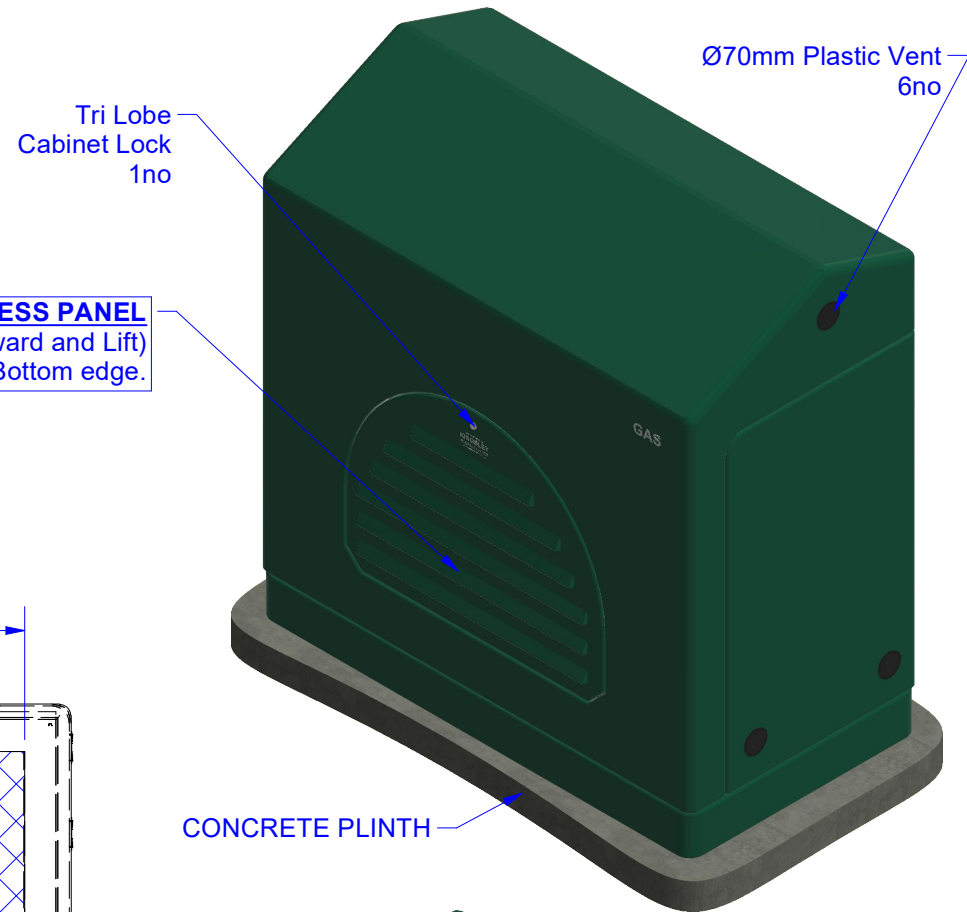
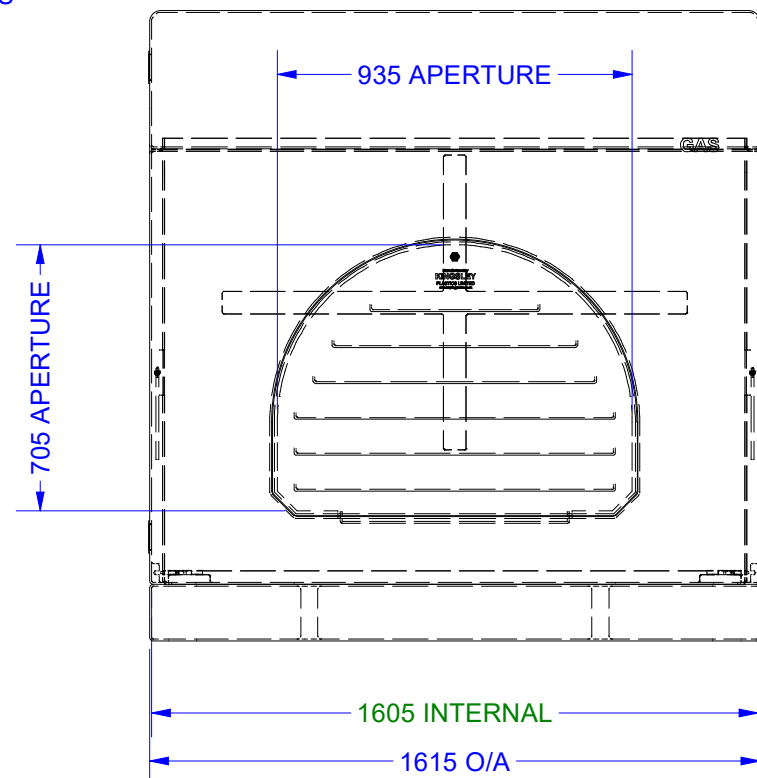
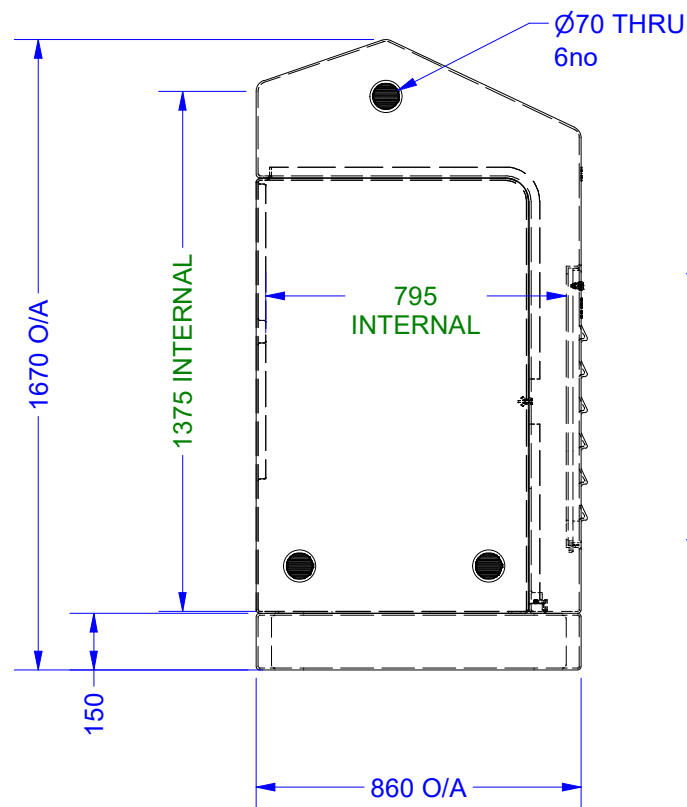
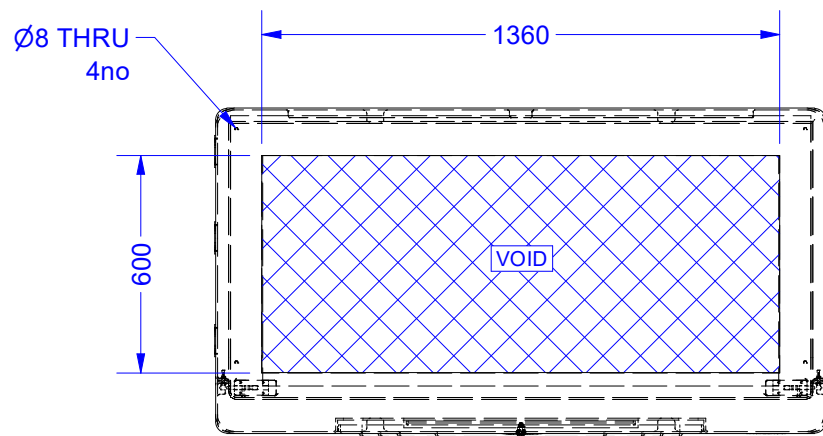


**DETAIL A**  
Sliding Bolt Lock  
2no



**DETAIL B**  
Explosion Relief Bolts  
2no

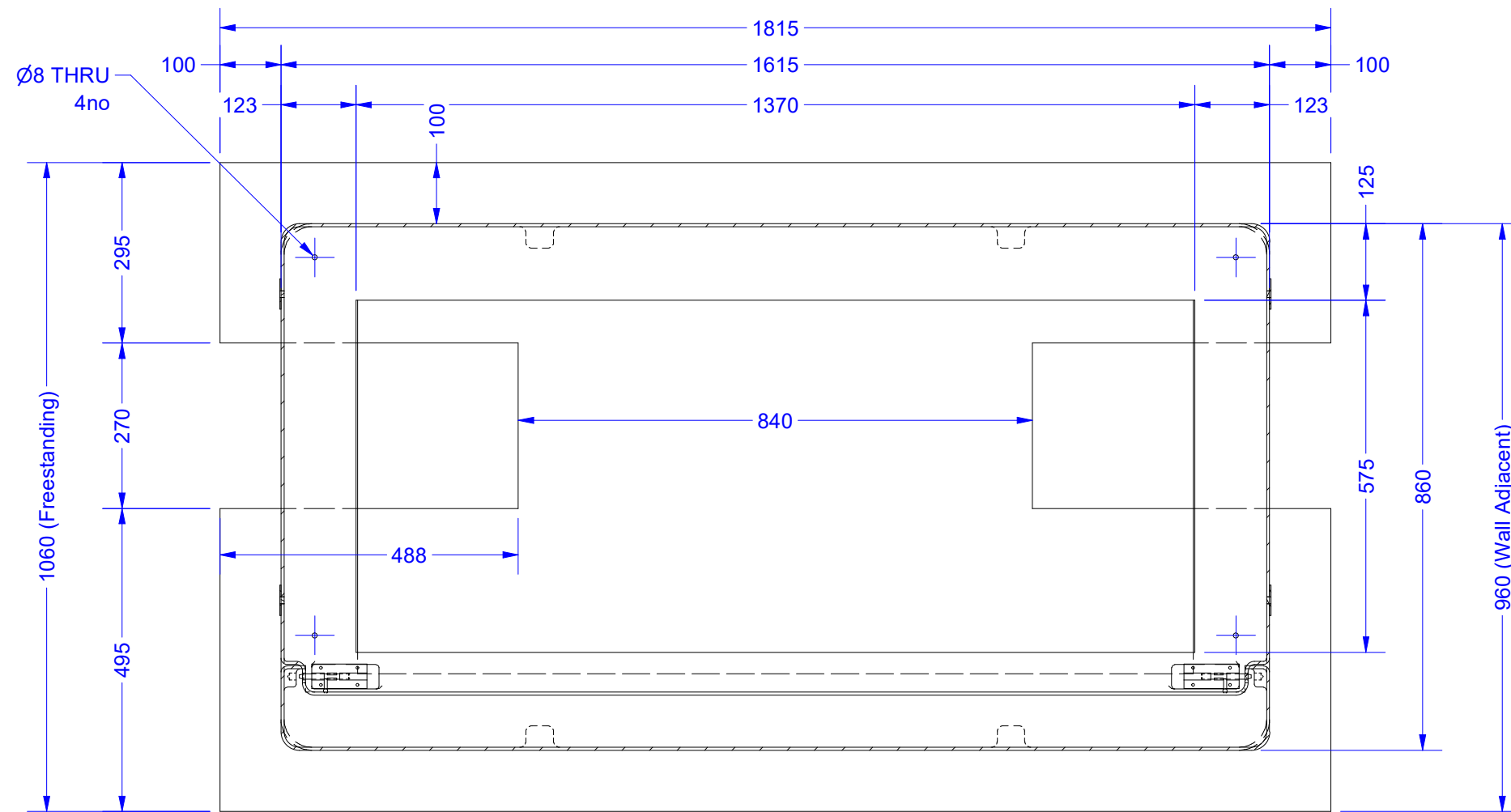
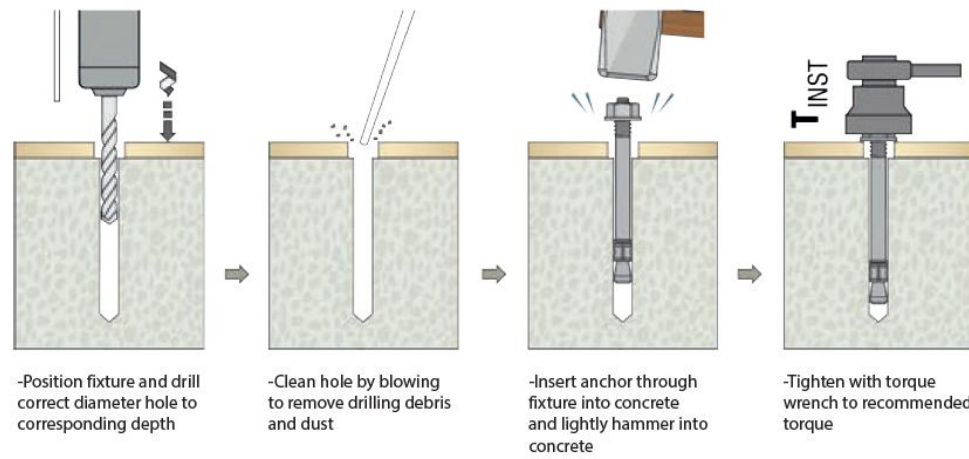
**FRONT ACCESS PANEL**  
(Removal Action - Unlock, Lean "TOP" Forward and Lift)  
Location Hook on Bottom edge.



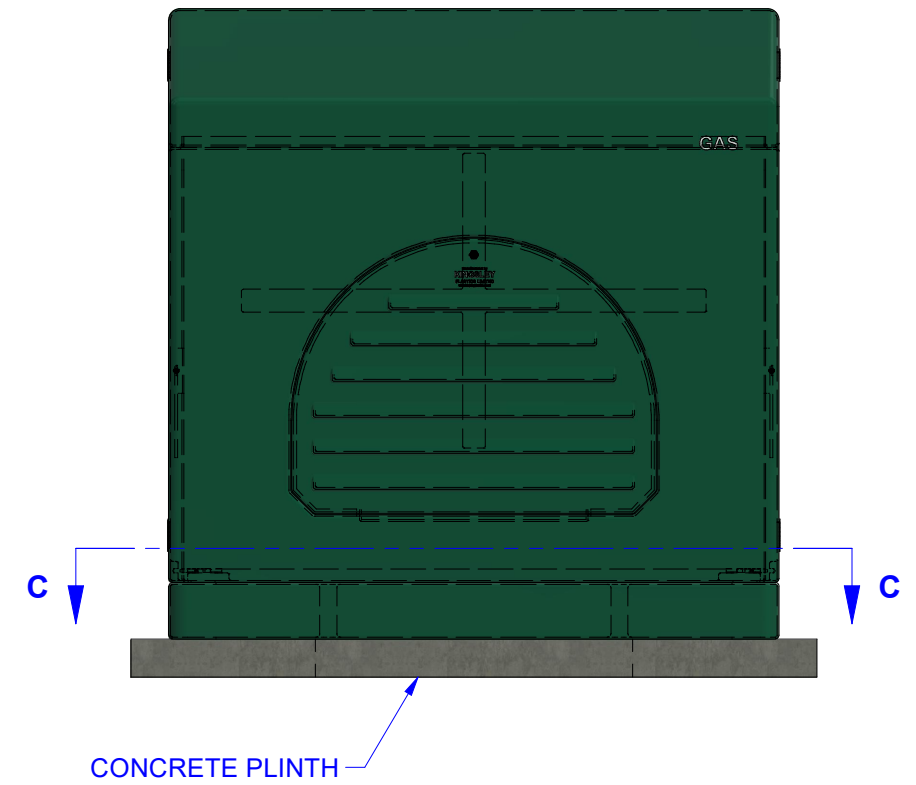
DO NOT SCALE IF IN DOUBT - ASK!!

## Plinth Recommendations

### INSTALLATION INSTRUCTIONS



SECTION C-C  
SCALE 1 / 10



Supplied with  
M8x75mm Anchor Bolts  
[AWA08075] 4no



Kingsley Plastics Limited,  
The Airfield, Winkleigh,  
Devon, EX19 8DW

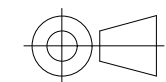
T:01837 83154

www.kingsleyplastics.co.uk

#### Drawing Title

**GC7 : GRP Cabinet**  
FREE STANDING - General Assembly

3rd Angle Proj.



General Manufacturing Tolerances:  
Millimetres

LINEAR:  
0-500mm +/- 1.0mm  
500-2000mm +/- 1.5mm  
2000mm + +/- 3.0mm

Filename: GC7-FS\_Assm-04\_B.dwg

Drawn By: M.A.Lilley

Date: 10/02/2026

Approx Weight (Kg): 80.000

Current Rev: 4

DO NOT SCALE IF IN DOUBT - ASK!!