

REV	DESCRIPTION	DATE	APPROVED
1	Initial Release	05/02/2018	DJD
2	Title Block - Address & Misc	25/05/2020	MJRM
3	Title Block Revision	16/01/2026	MAL
4	Model Updated	09/02/2026	MAL



Kingsley Plastics Limited,
The Airfield, Winkleigh,
Devon, EX19 8DW

T:01837 83154

www.kingsleyplastics.co.uk

CABINET DETAILS		
Surface Finish	Exterior Colour	Interior Colour
Smooth	RAL 6005	RAL 6005

Specification Summary:

Construction:
3pc (Single Skin)

Overall Lock Specification Summary:
1/4 Turn - Tri Lobe Cabinet Lock

Ventilation Specification Summary:
Louvered Door

Roof Type:
Angled

Drawing Title

GC5 : GRP Cabinet
FREE STANDING - General Assembly

Customer Details:

Customer: -
Project Name: -
Customer Ref: -
Works Order No: -

Optional Extras:

- Other Colours Available on Request
- Hasp & Staple Lock [St/St] Alternative
- PRS35 Specification
- Supports U65 Meter
- Low & Medium Pressure

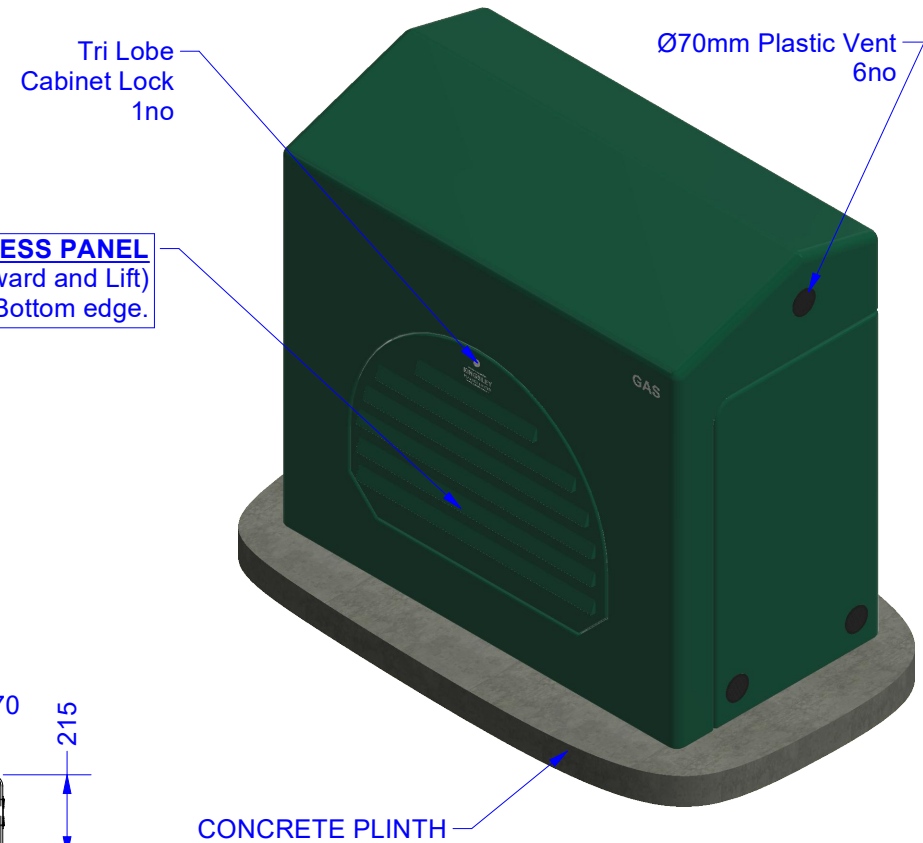
3rd Angle Proj.	General Manufacturing Tolerances: Millimetres		
	LINEAR:		
	0-500mm	+/- 1.0mm	
	500-2000mm	+/- 1.5mm	
	2000mm +	+/- 3.0mm	

Internal Size (mm):	W 1480	D 705	H 1250
External Size (mm):	W 1490	D 770	H 1375

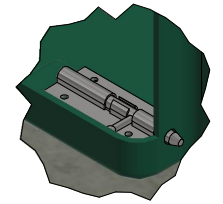
Filename: GC5-FS_Assm-04_B.dwg

Drawn By: M.A.Lilley Date: 10/02/2026

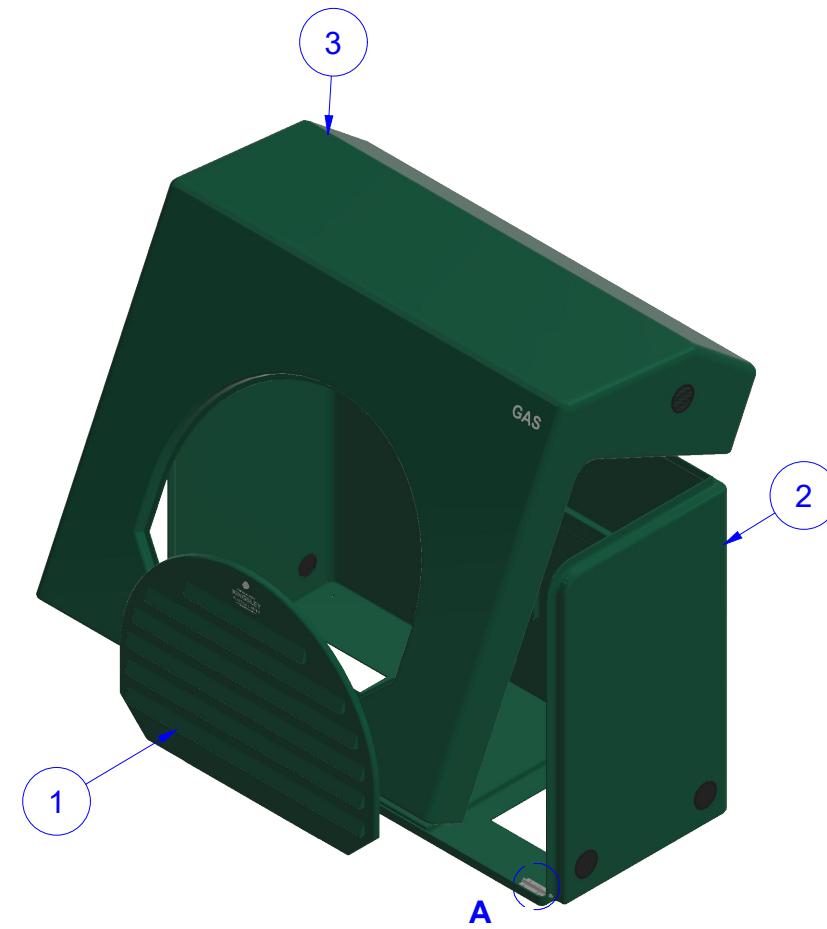
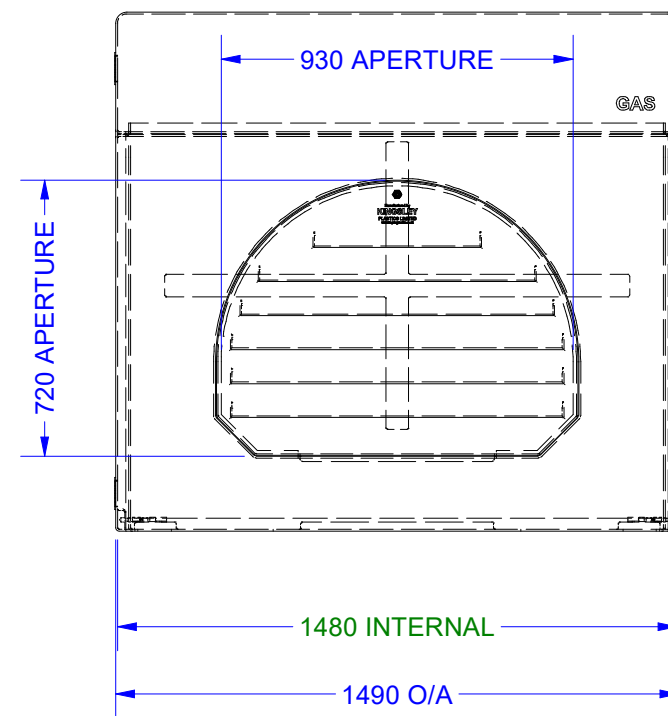
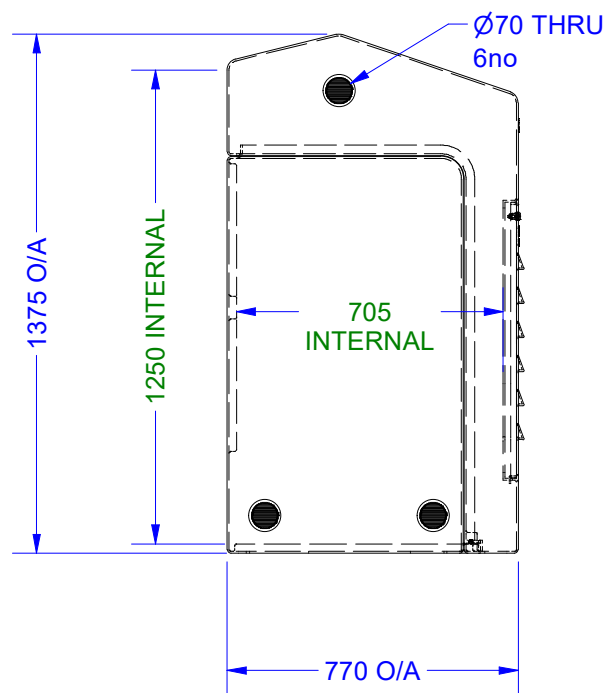
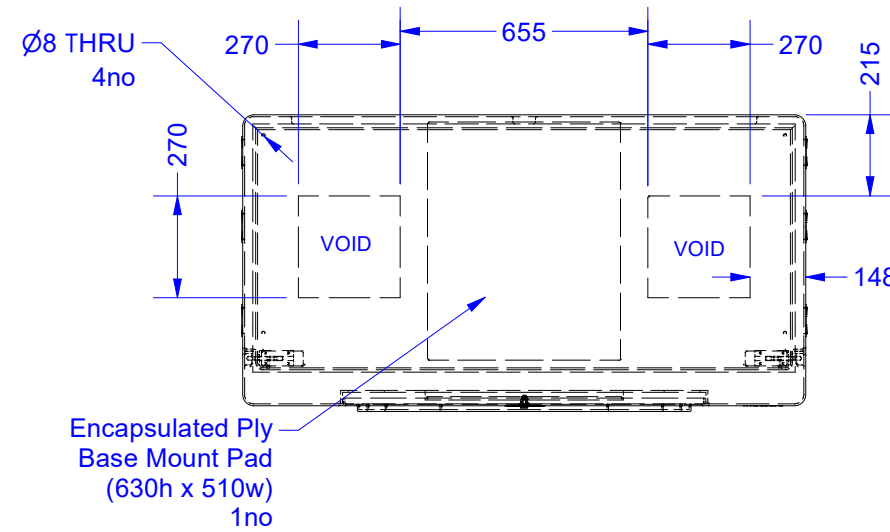
Approx Weight (Kg): 52.000 Current Rev: 4



FRONT ACCESS PANEL
(Removal Action - Unlock, Lean "TOP" Forward and Lift)
Location Hook on Bottom edge.



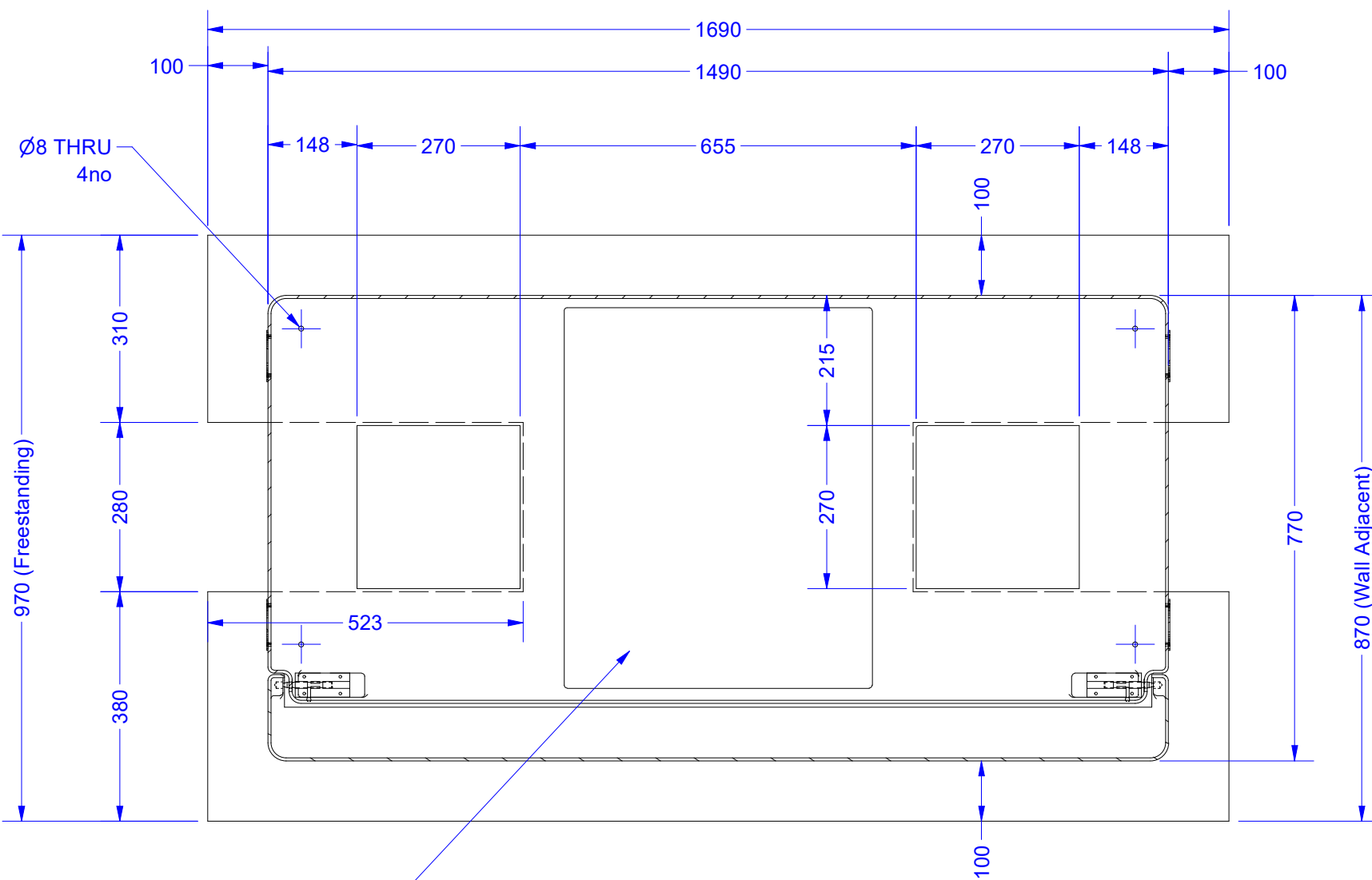
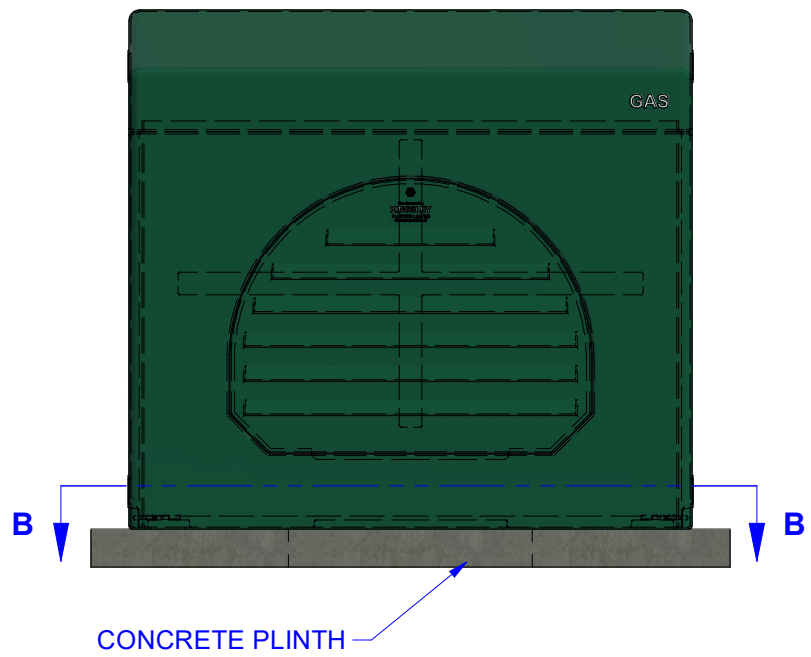
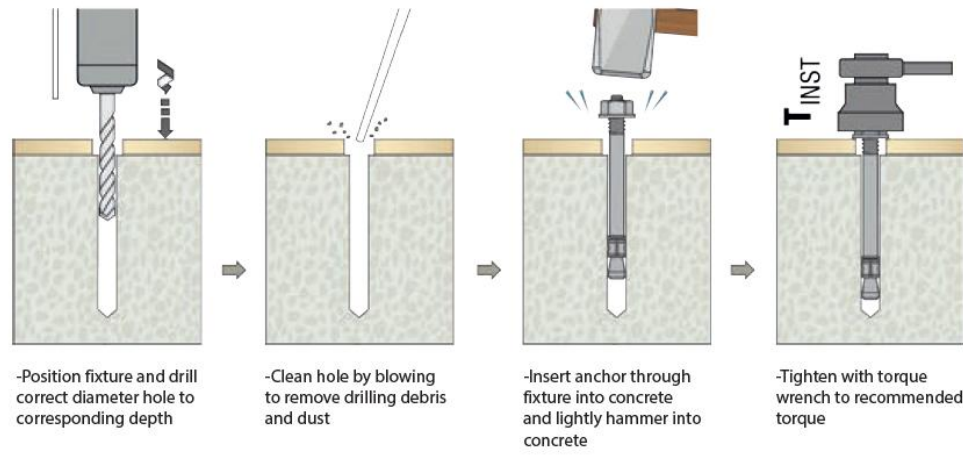
DETAIL A
Sliding Bolt Lock
2no



DO NOT SCALE IF IN DOUBT - ASK!!

Plinth Recommendations

INSTALLATION INSTRUCTIONS



Encapsulated Ply Base Mount Pad (630h x 510w) 1no

SECTION B-B SCALE 1/10

Supplied with M8x75mm Anchor Bolts [AWA08075] 4no



Kingsley Plastics Limited,
The Airfield, Winkleigh,
Devon, EX19 8DW

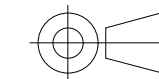
T:01837 83154

www.kingsleyplastics.co.uk

Drawing Title

GC5 : GRP Cabinet
FREE STANDING - General Assembly

3rd Angle Proj.



General Manufacturing Tolerances:
Millimetres

LINEAR:	
0-500mm	+/- 1.0mm
500-2000mm	+/- 1.5mm
2000mm +	+/- 3.0mm

Filename: GC5-FS_Assm-04_B.dwg

Drawn By: M.A.Lilley

Date: 10/02/2026

Approx Weight (Kg): 52.000

Current Rev: 4

DO NOT SCALE IF IN DOUBT - ASK!!