

REV	DESCRIPTION	DATE	APPROVED
1	Initial Release	05/02/2018	DJD
2	Title Block - Address & Misc.	25/05/2021	MJRM
3	Title Block Revision	19/01/2026	MAL
4	Model Updated	27/01/2026	MAL



Kingsley Plastics Limited,  
The Airfield, Winkleigh,  
Devon, EX19 8DW

T:01837 83154

www.kingsleyplastics.co.uk

CABINET DETAILS		
Surface Finish	Exterior Colour	Interior Colour
Smooth	RAL 6005	RAL 6005

**Specification Summary:**

Construction:  
3pc (Single Skin)

Overall Lock Specification Summary:  
1/4 Turn - Tri Lobe Cabinet Lock

Ventilation Specification Summary:  
Louvered Door

Roof Type:  
Curved

**Drawing Title**

**GC3 : GRP Cabinet**  
Wall Mounted - General Assembly

**Customer Details:**

Customer: -  
Project Name: -  
Customer Ref: -  
Works Order No: -

**Optional Extras:**

- Other Colours Available on Request
- Hasp & Staple Lock [St/St] Alternative
- PRS35 Specification
- Supports U25 Meter
- Low Pressure

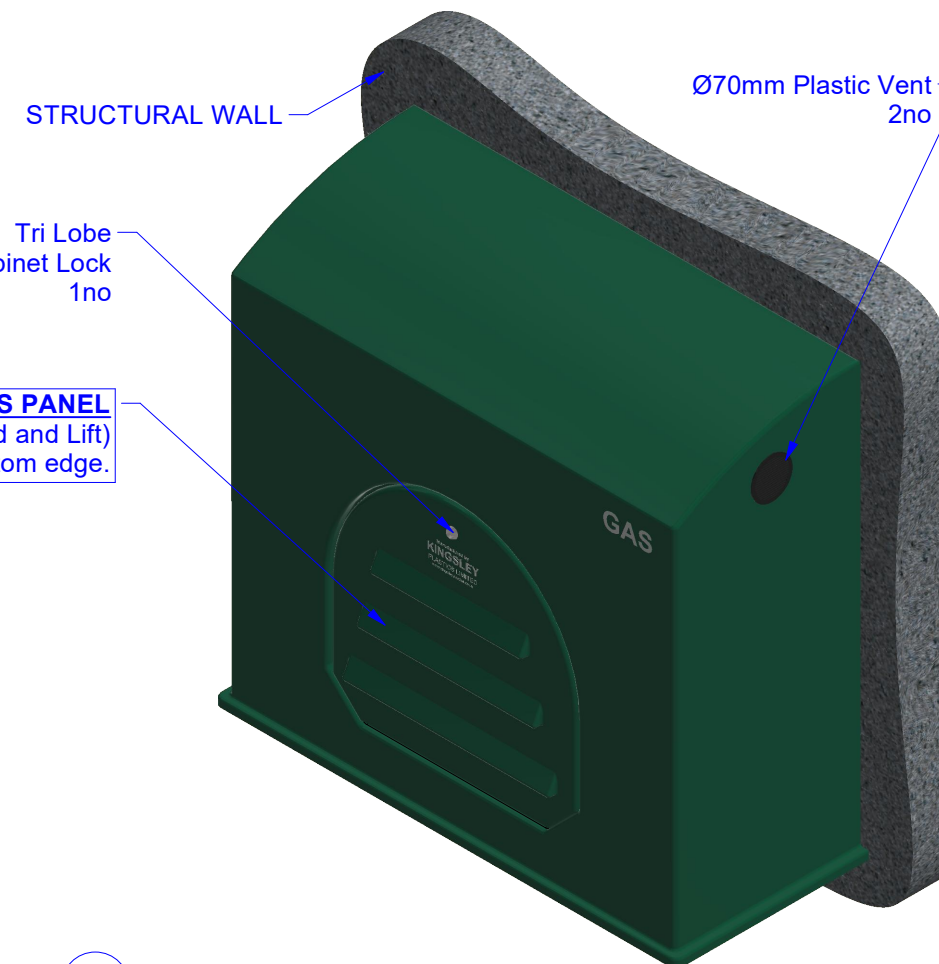
3rd Angle Proj. 	General Manufacturing Tolerances: Millimetres		
	<b>LINEAR:</b>		
	0-500mm	+/- 1.0mm	
	500-2000mm	+/- 1.5mm	
	2000mm +	+/- 3.0mm	

Internal Size (mm):	<b>W</b> 875	<b>D</b> 345	<b>H</b> 850
External Size (mm):	<b>W</b> 960	<b>D</b> 400	<b>H</b> 890

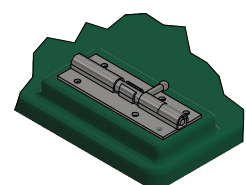
Filename: GC3-WM\_Assm-04\_C.dwg

Drawn By: M.A.Lilley Date: 19/01/2026

Approx Weight (Kg): 21.000 Current Rev: 4

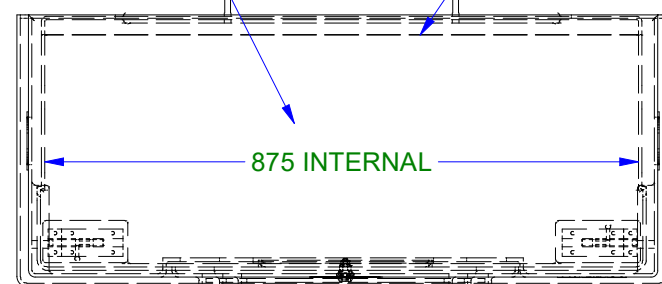


**FRONT ACCESS PANEL**  
(Removal Action - Unlock, Lean "TOP" Forward and Lift)  
Location Hook on Bottom edge.

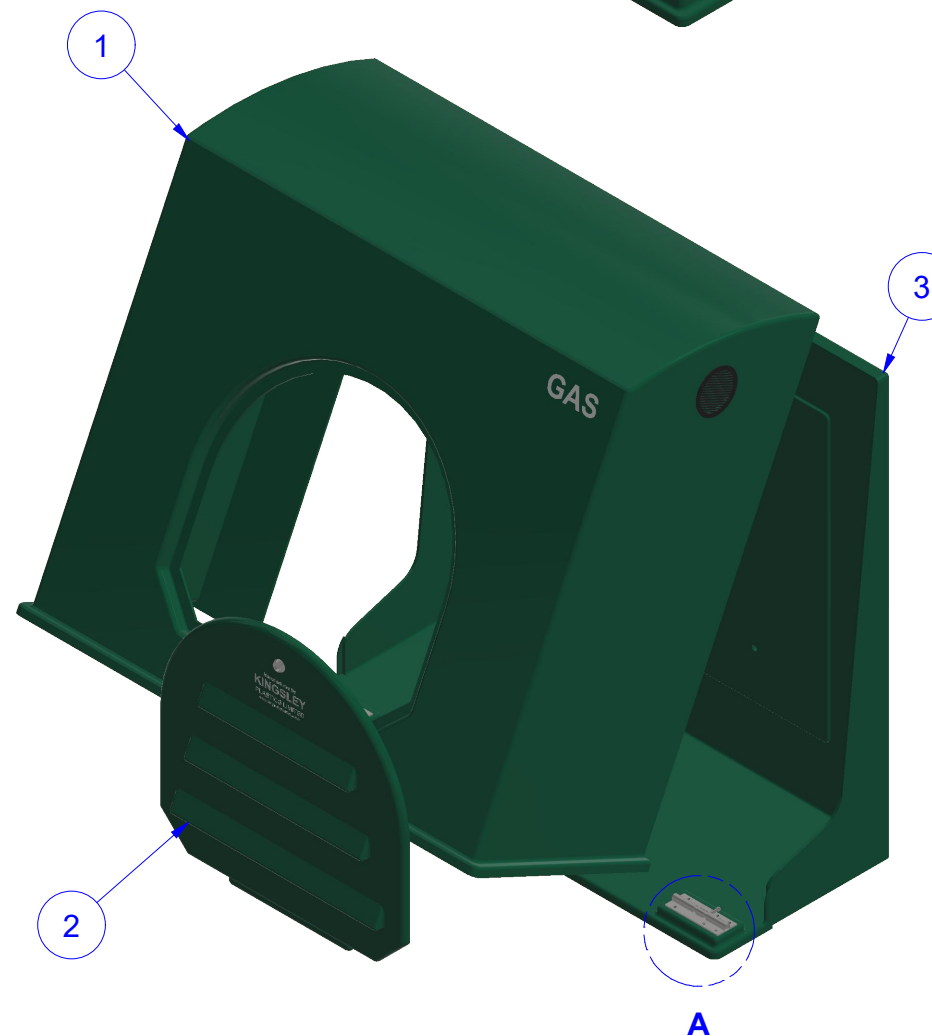
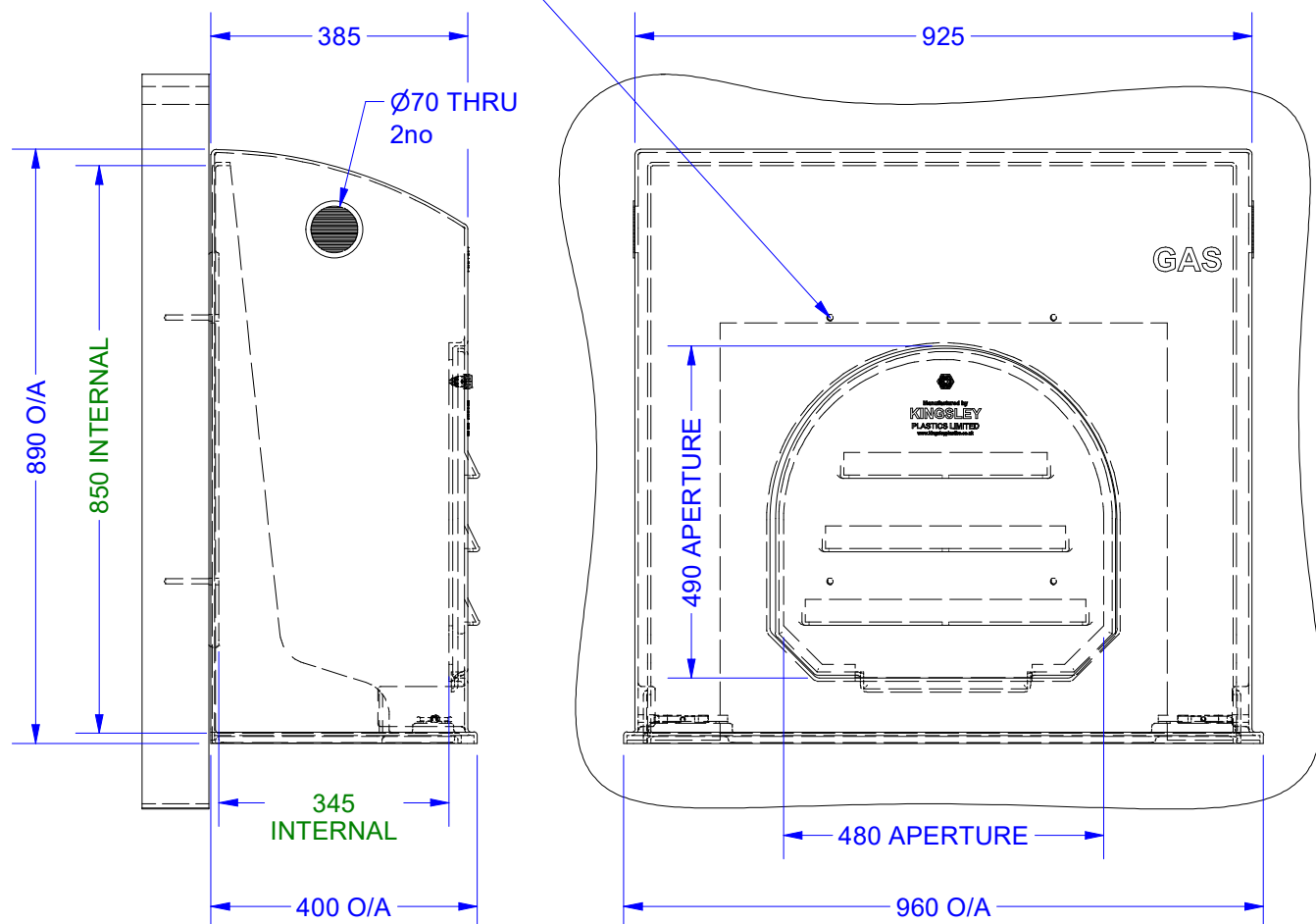


**DETAIL A**  
Sliding Bolt Lock  
2no

Encapsulated Ply Base Mount Pad (280h x 640w) 1no  
Encapsulated Ply Back Mount Pad (590h x 640w) 1no

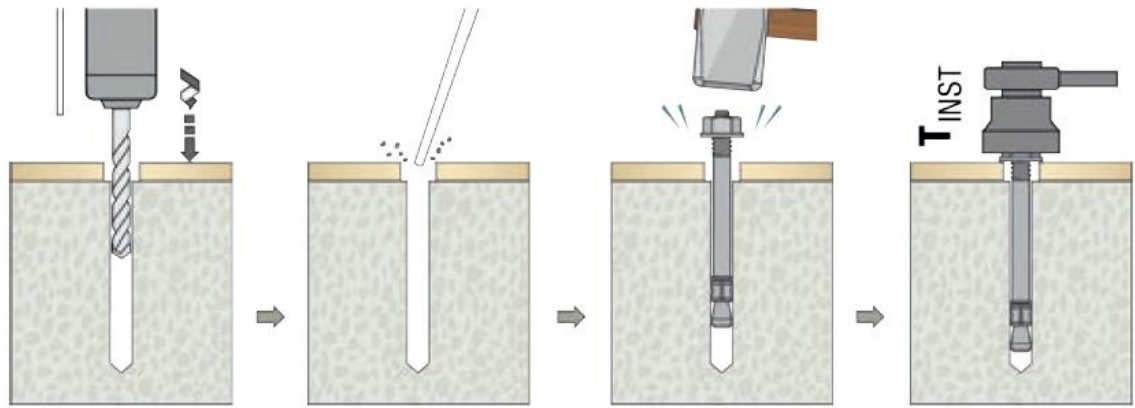


**WALL MOUNTING**  
M8 x 75mm Anchor Bolts (4no)  
Required through rear centre core panel.



DO NOT SCALE IF IN DOUBT - ASK!!

INSTALLATION INSTRUCTIONS



-Position fixture and drill correct diameter hole to corresponding depth

-Clean hole by blowing to remove drilling debris and dust

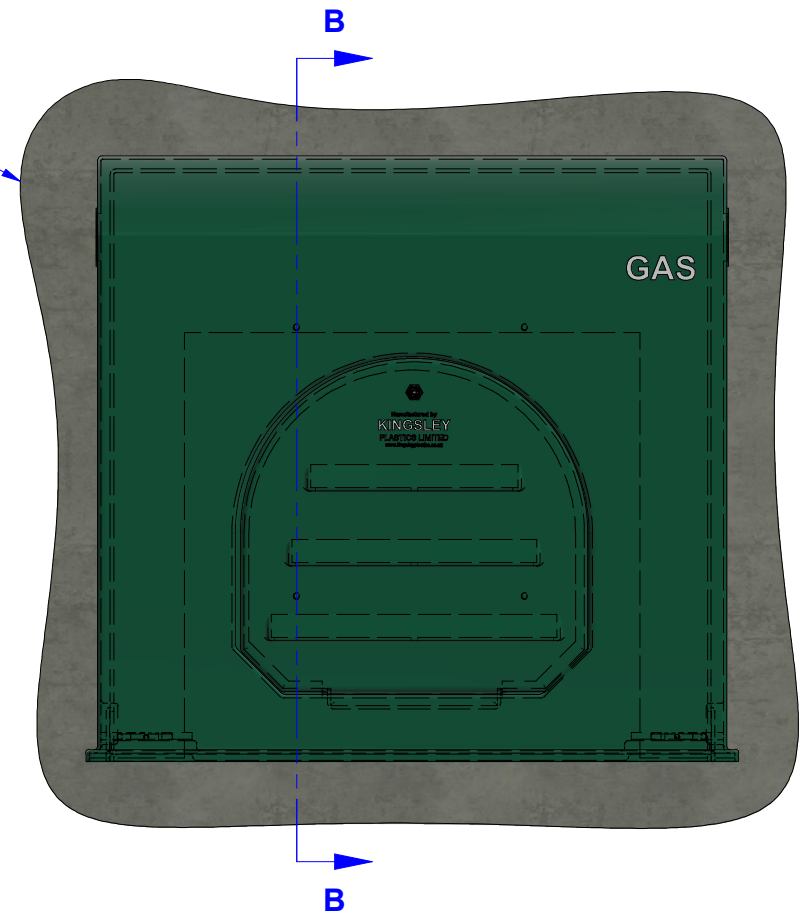
-Insert anchor through fixture into concrete and lightly hammer into concrete

-Tighten with torque wrench to recommended torque

Supplied with  
M8x75mm Anchor Bolts  
[AWA08075] 4no



STRUCTURAL WALL



Ø8 ± 65 MIN.

Encapsulated Ply Back Mount Pad (590h x 640w) 1no

110 MIN.

SECTION B-B  
SCALE 0.18 :1



Kingsley Plastics Limited,  
The Airfield, Winkleigh,  
Devon, EX19 8DW

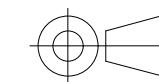
T:01837 83154

www.kingsleyplastics.co.uk

Drawing Title

**GC3 : GRP Cabinet**  
Wall Mounted - General Assembly

3rd Angle Proj.



General Manufacturing Tolerances:  
Millimetres

LINEAR:	
0-500mm	+/- 1.0mm
500-2000mm	+/- 1.5mm
2000mm +	+/- 3.0mm

Filename: GC3-WM\_Assm-04\_C.dwg

Drawn By: M.A.Lilley

Date: 19/01/2026

Approx Weight (Kg): **21.000**

Current Rev: **4**

DO NOT SCALE IF IN DOUBT - ASK!!