

REV	DESCRIPTION	DATE	APPROVED
1	Initial Release	05/02/2018	DJD
2	Title Block - Address & Misc.	25/05/2021	MJRM
3	Title Block Revision	19/01/2026	MAL
4	Model Updated	26/01/2026	MAL



Kingsley Plastics Limited,
The Airfield, Winkleigh,
Devon, EX19 8DW

T:01837 83154

www.kingsleyplastics.co.uk

CABINET DETAILS

Surface Finish	Exterior Colour	Interior Colour
Smooth	RAL 6005	RAL 6005

Specification Summary:

Construction:
3pc (Single Skin)

Overall Lock Specification Summary:
1/4 Turn - Tri Lobe Cabinet Lock

Ventilation Specification Summary:
Louvered Door

Roof Type:
Angled

Drawing Title

GC2 : GRP Cabinet

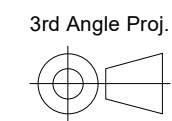
(Multi) Free Standing / Wall Mounted - General Assembly

Customer Details:

Customer: -
Project Name: -
Customer Ref: -
Works Order No: -

Optional Extras:

- Other Colours Available on Request
- Hasp & Staple Lock [St/St] Alternative
- PRS35 Specification
- Supports U16 Meter
- Low & Medium Pressure



General Manufacturing Tolerances:
Millimetres

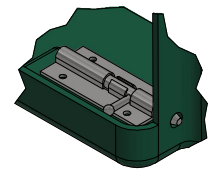
LINEAR:		
0-500mm	+/- 1.0mm	
500-2000mm	+/- 1.5mm	
2000mm +	+/- 3.0mm	

Internal Size (mm):	W 700	D 330	H 710
External Size (mm):	W 710	D 395	H 830

Filename: GC2-MU_Assm-04_C.dwg

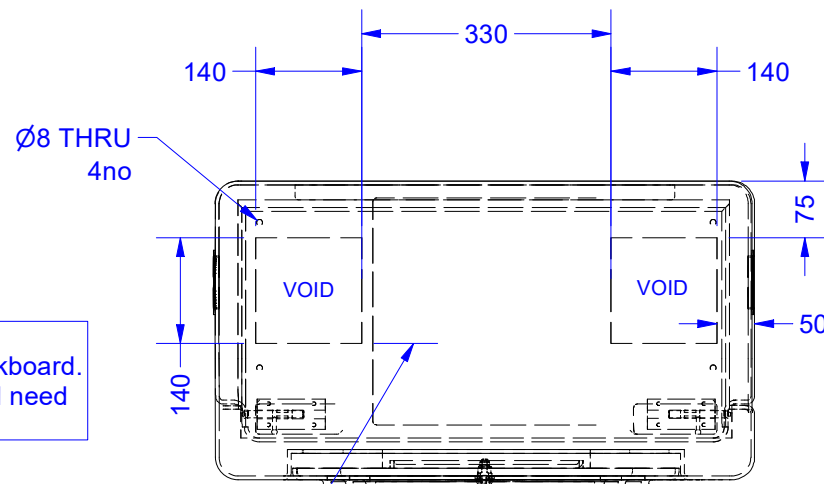
Drawn By: M.A.Lilley Date: 26/01/2026

Approx Weight (Kg): 15.500 Current Rev: 4

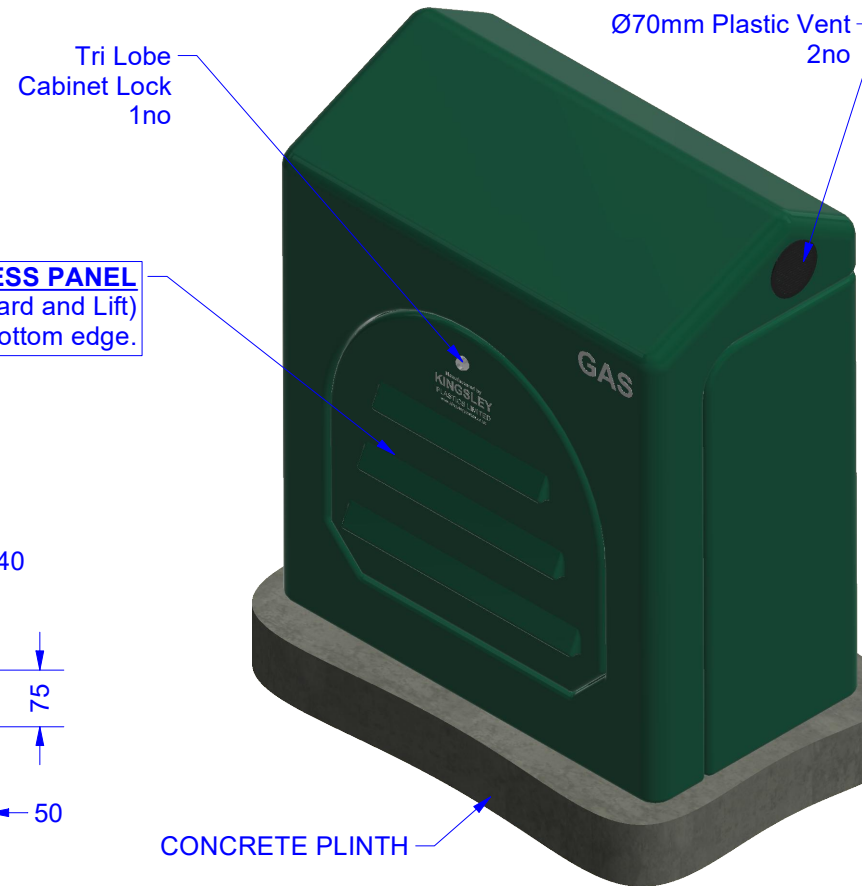
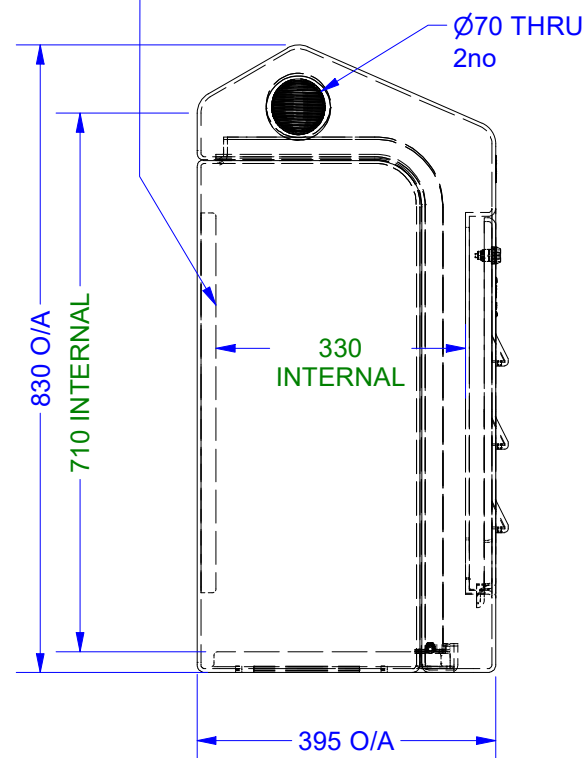
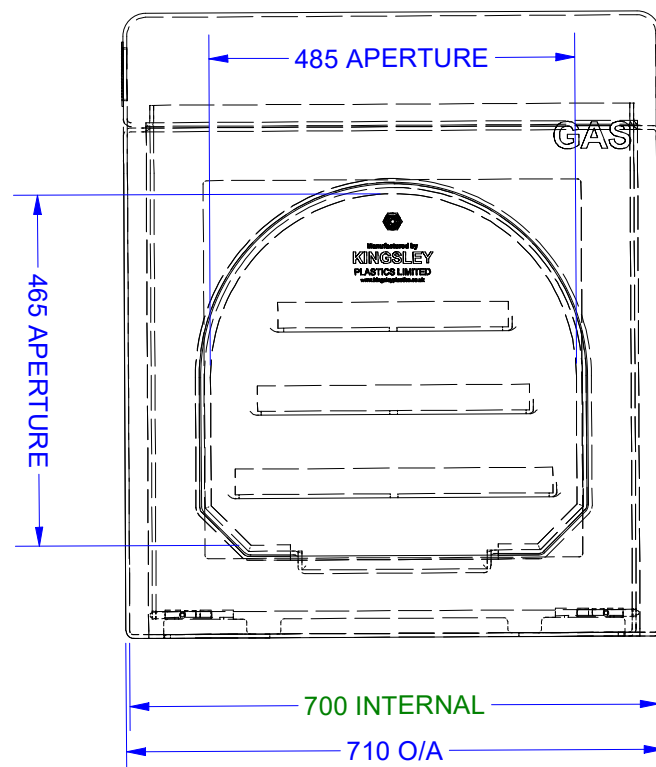


DETAIL A
Sliding Bolt Lock
2no

FRONT ACCESS PANEL
(Removal Action - Unlock, Lean "TOP" Forward and Lift)
Location Hook on Bottom edge.



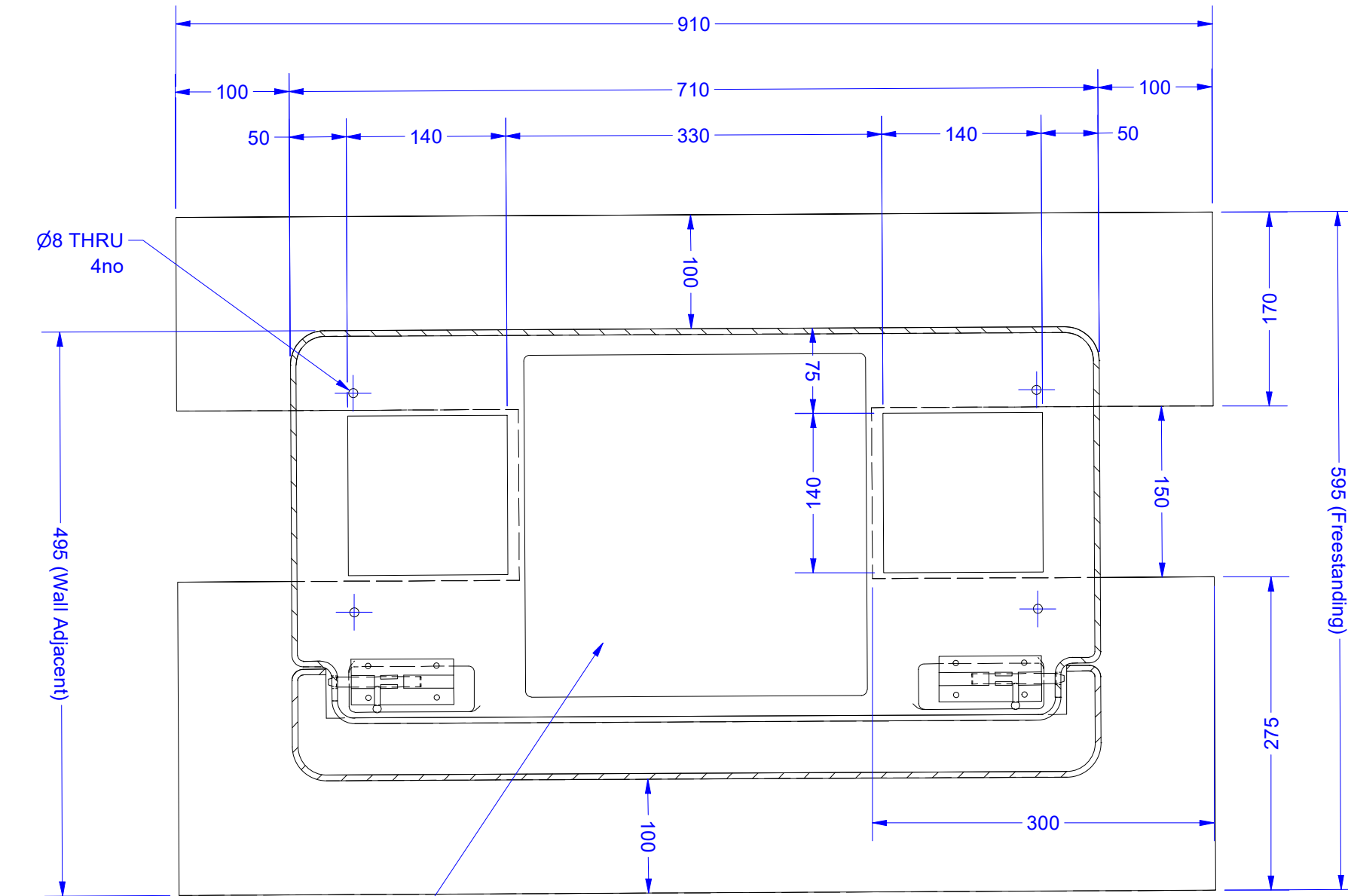
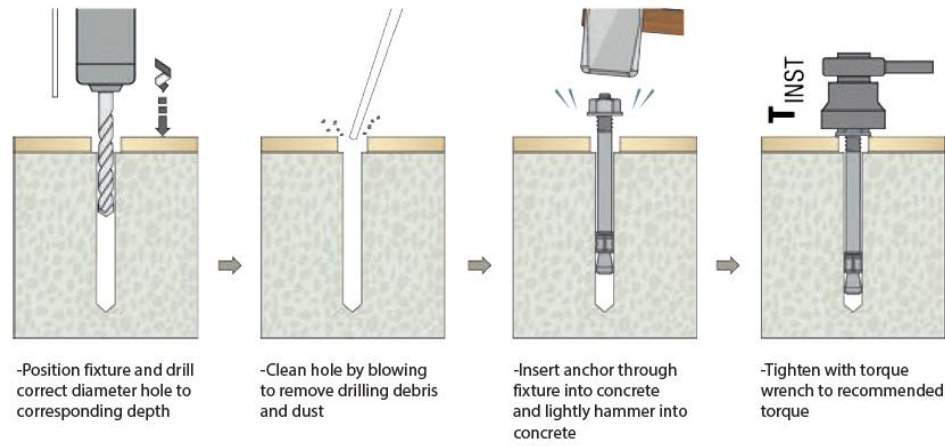
Encapsulated Ply
Base Mount Pad
(300h x 300w)
1no



DO NOT SCALE IF IN DOUBT - ASK!!

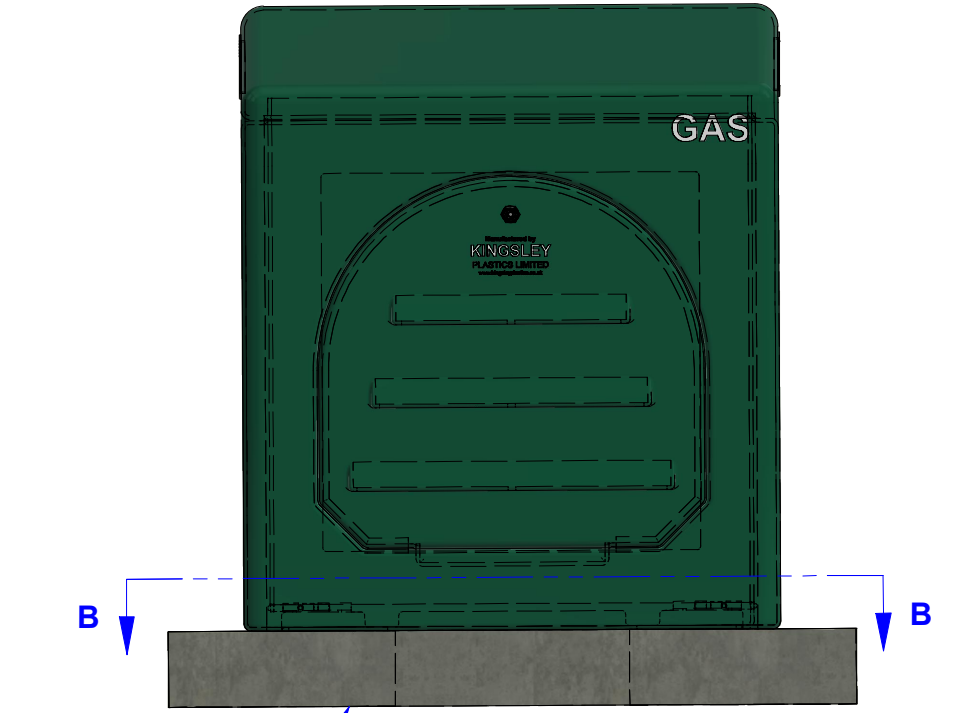
Plinth Recommendations

INSTALLATION INSTRUCTIONS



Encapsulated Ply
Base Mount Pad
(300h x 300w)
1no

SECTION B-B
SCALE 1/5



CONCRETE PLINTH

Supplied with
M8x75mm Anchor Bolts
[AWA08075] 4no



Kingsley Plastics Limited,
The Airfield, Winkleigh,
Devon, EX19 8DW
T:01837 83154
www.kingsleyplastics.co.uk

Drawing Title
GC2 : GRP Cabinet
(Multi) Free Standing / Wall Mounted - General Assembly

3rd Angle Proj. 	General Manufacturing Tolerances: Millimetres	
	LINEAR:	
	0-500mm	+/- 1.0mm
	500-2000mm	+/- 1.5mm
	2000mm +	+/- 3.0mm

Filename: GC2-MU_Assm-04_C.dwg

Drawn By: M.A.Lilley Date: 26/01/2026

Approx Weight (Kg): **15.500** Current Rev: **4**

DO NOT SCALE IF IN DOUBT - ASK!!