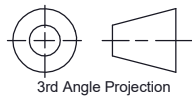


THIS DRAWING IS A PRIVATE AND CONFIDENTIAL COMMUNICATION AND THE PROPERTY OF KINGSLEY PLASTICS LTD. IT MUST NOT BE COPIED OR LOANED WITHOUT THE WRITTEN CONSENT OF KINGSLEY PLASTICS LTD AND MUST BE RETURNED IMMEDIATELY ON COMPLETION OF TENDER OR CONTRACT.



3rd Angle Projection

**Do NOT Scale IF IN DOUBT - ASK !!**

GENERAL MANUFACTURING TOLERANCES: (mm) LINEAR:

0 - 500mm +/- 1.0mm  
500-2000mm +/- 1.50mm  
2000mm + +/- 3.0mm

**REVISIONS**

REV.	DESCRIPTION	DATE	APPROVED
1	First Issue	05-02-18	
2	Heating and lighting removed	01-05-18	

**NOTE :-**

- OTHER COLOURS AVAILABLE ON REQUEST.  
- CONTACT OUR SALES DEPARTMENT  
- ALL FINISHES ARE SMOOTH, NOT TEXTURED.



**KINGSLEY PLASTICS LTD**

Western Barn Industrial Park, Hatherleigh Road, Winkleigh, Devon. EX19 8AP

T: 01837 83154 F: 01837 83529 Sales@kingsleyplastics.co.uk www.kingsleyplastics.co.uk

**Standard Finish & Colour Specifications :-**

**CARCASS**

SURFACE FINISH	EXTERIOR COLOUR	INTERIOR COLOUR
Smooth	<b>RAL6005</b>	<b>RAL7035</b>

**ROOF**

SURFACE FINISH	EXTERIOR COLOUR	INTERIOR COLOUR
Smooth	<b>RAL6005</b>	<b>RAL7035</b>

**DOOR SET**

SURFACE FINISH	EXTERIOR COLOUR	INTERIOR COLOUR
Smooth	<b>RAL6005</b>	<b>RAL7035</b>

**Customer Details:**

Customer: -  
Project Name: -  
Customer Ref: -  
Customer Ref Rev: -

**Specification Summary:**

Construction :  
**Single Piece**  
Panel Construction / SR Rating :  
-  
Overall Door Specification Summary :  
**Single Skin**  
-  
Overall Lock Specification Summary :  
**St/St Hasp & Staple**  
-  
Overall Vent Specification Summary :  
-  
-  
Roof Type & Construction :  
**4 way Pitch**

**Additional Notes :**  
Clear door opening access - 1834 x 1804mm. GRP thickness of 4mm generally and 6mm at stress points.

Drawing Title: **GRP Cabinet KD Range**

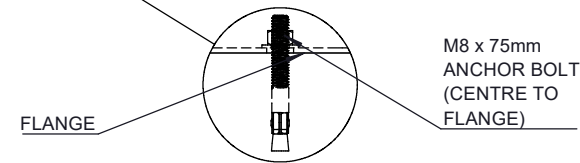
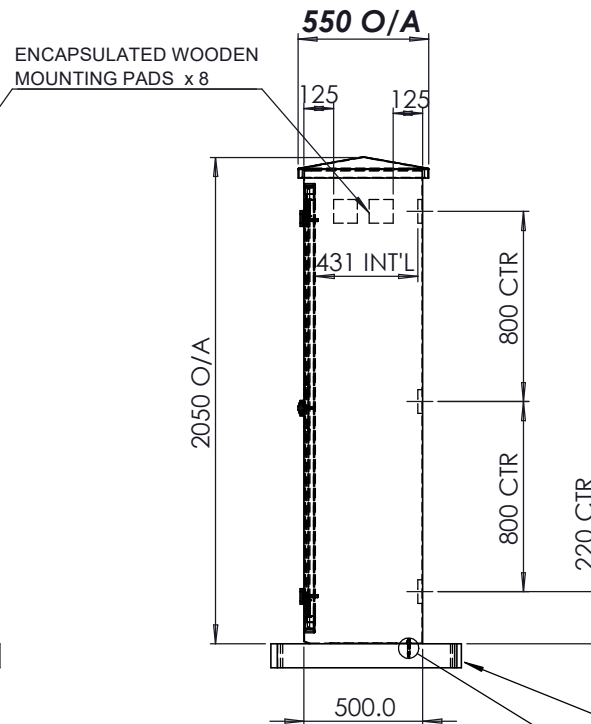
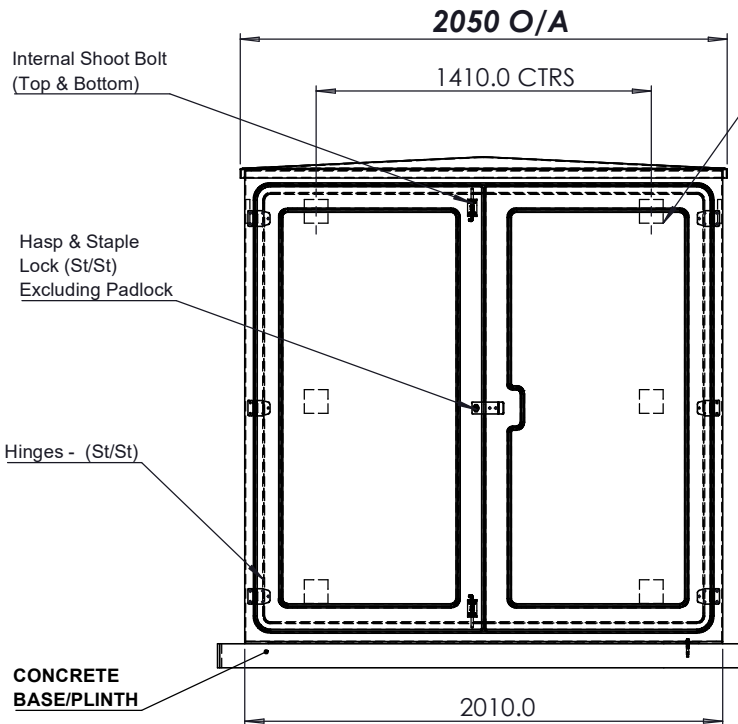
Drawn By: **DJD** | First Drawn Date: **12.01.18**

**GRP Enclosure Weights & Dimensions:-**

<b>INTERNAL Size (m) :-</b>	<b>W 2004</b>	<b>D 431</b>	<b>H 1987</b>
<b>EXTERNAL Size (m) :-</b>	<b>W 2010</b>	<b>D 500</b>	<b>H 2050</b>

Enclosure Weight :- **144 Kg**

Drawing / Part No: **KD9** | Current Rev: **4**



**TYPICAL " BOLT DOWN" DETAIL**

**CABINET OPTIONS**

- Varnished Backboard
- Yale Type Lock
- S/S Hasp & Staple
- 3 Way Lock c/w L-Handle
- Ventilation
- Cable Entry Flaps

Drawing Type:-  
**OVERVIEW**  
Sheet :-  
**1 OF 1**