

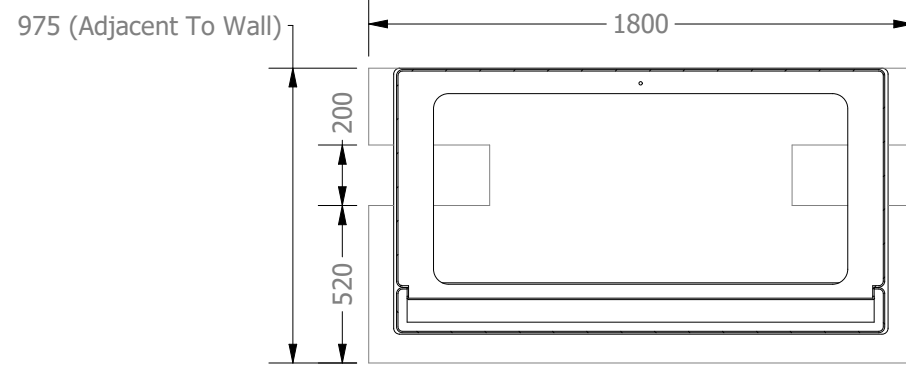
**Do NOT Scale IF In Doubt - ASK!!**

THIS DRAWING IS A PRIVATE AND CONFIDENTIAL COMMUNICATION AND THE PROPERTY OF KINGSLEY PLASTICS LTD. IT MUST NOT BE COPIED OR LOANED WITHOUT THE WRITTEN CONSENT OF KINGSLEY PLASTICS LTD AND MUST BE RETURNED IMMEDIATELY ON COMPLETION OF TENDER OR CONTRACT.

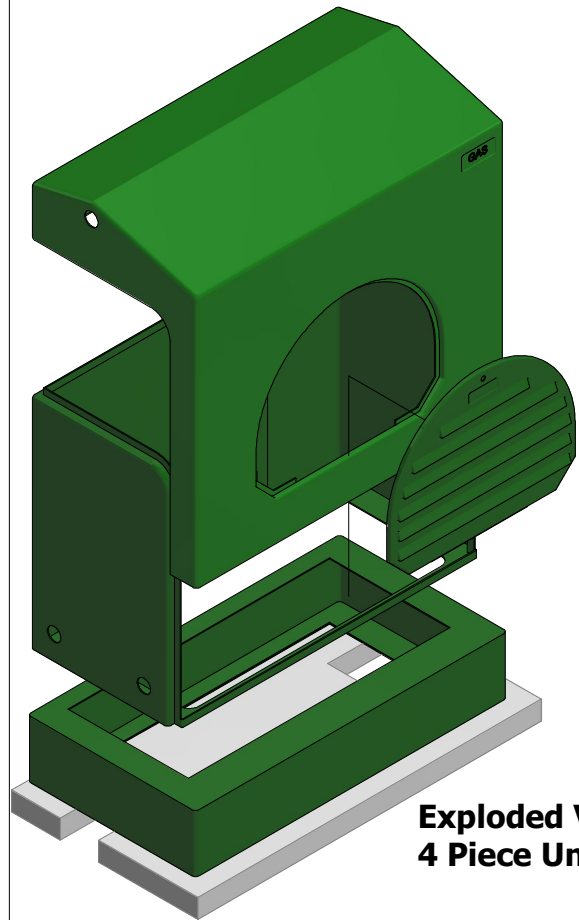
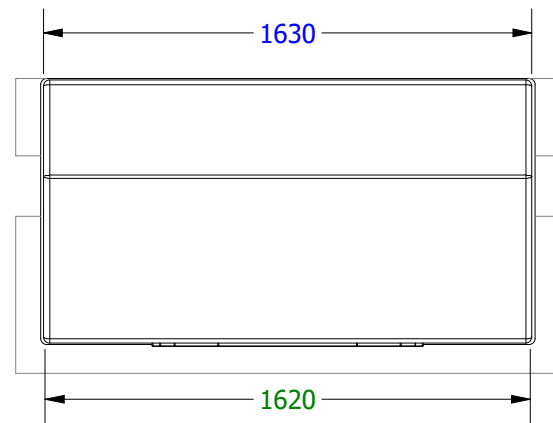
Revisions			
REV.	DESCRIPTION	DATE	APPROVED
1	FIRST ISSUE	05/02/18	DJD
2	ADDRESS, MISC UPDATES	15/06/21	MJRM

Notes:  
Other Colours Available on Request

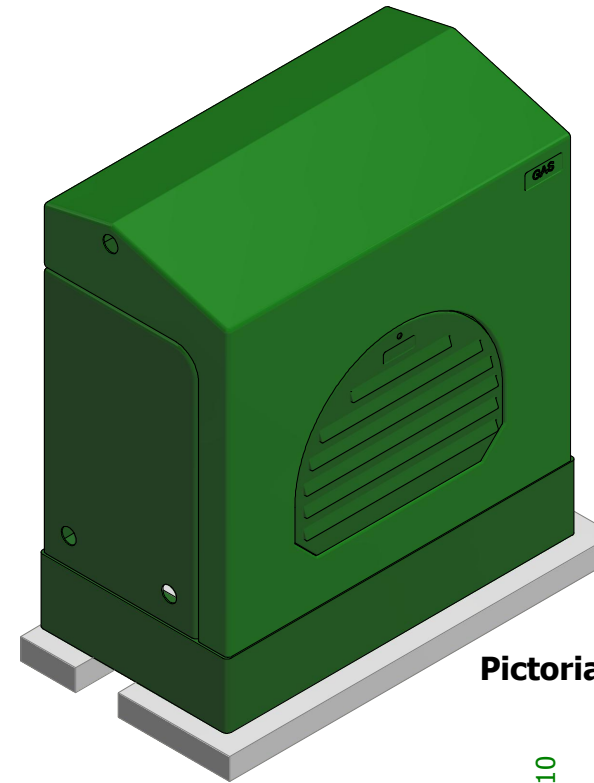
**Concrete Base/Plinth Recommendation**



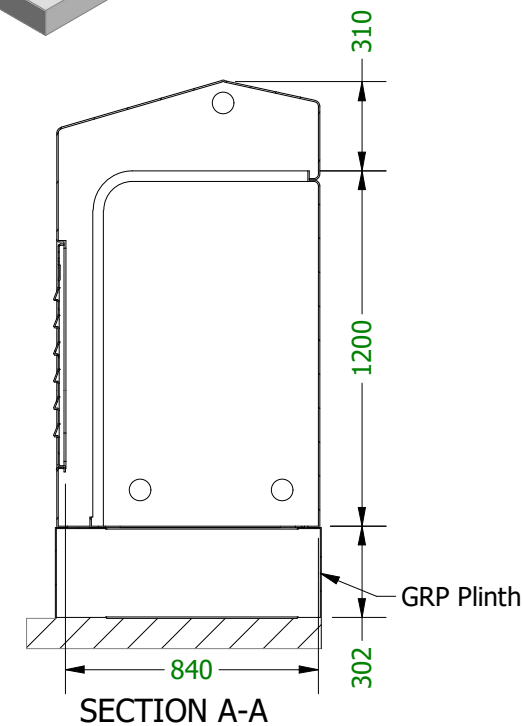
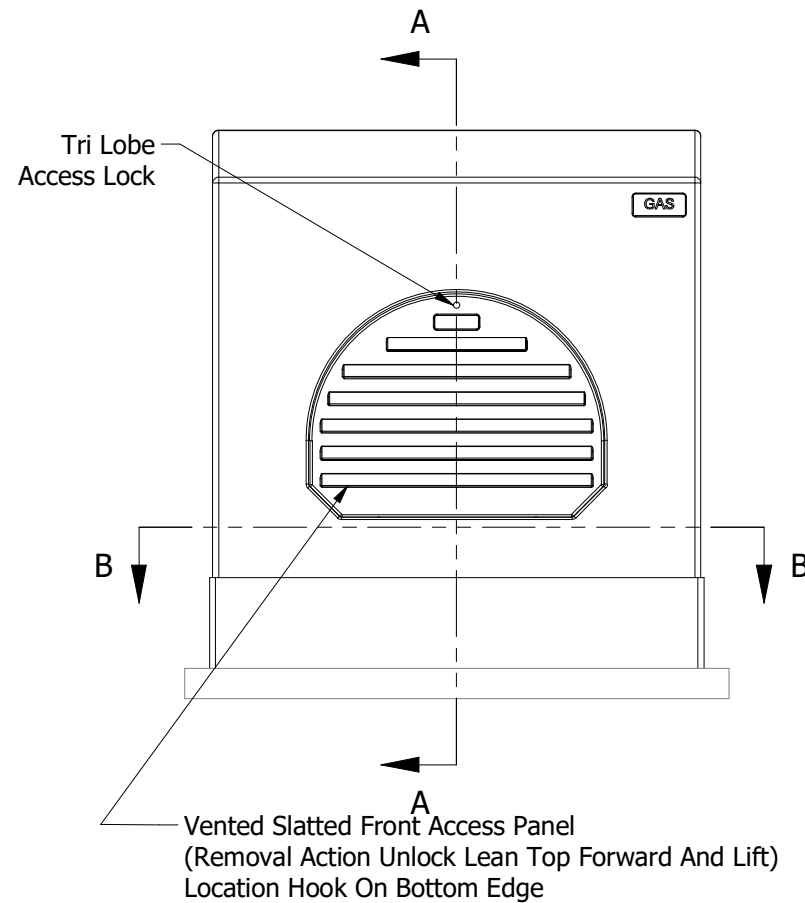
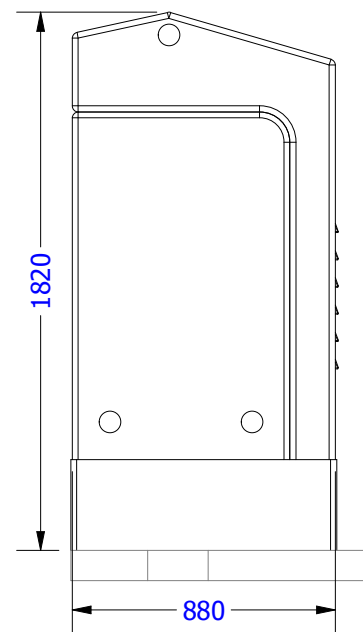
SECTION B-B



**Exploded View  
4 Piece Unit**



**Pictorial View**



SECTION A-A



Kingsley Plastics Limited, The Airfield, Winkleigh, Devon, EX19 8DW  
T:01837 83154 sales@kingsleyplastics.co.uk  
WWW.kingsleyplastics.co.uk

**CARCASS**

Surface Finish	Exterior Colour	Interior Colour
Smooth	RAL 6005	RAL 6005

**ROOF**

Surface Finish	Exterior Colour	Interior Colour
Smooth	RAL 6005	RAL 6005

**DOOR SET**

Surface Finish	Exterior Colour	Interior Colour
Smooth	RAL 6005	RAL 6005

**Customer Details:**

Customer:  
Project Name:  
Customer Ref:  
Works Order No:

**Specification Summary:**

Construction:  
GRP Four Piece

Overall Lock Specification Summary:  
Quarter Turn Tri Lobe Cabinet Lock

Ventilation Specification Summary:  
Free Air Flow 3% Floor Area

Roof Type:  
Dual Pitch

**Drawing Title**

**Gas Cabinet With Plinth No.7+**

Drawn By: Matt.McAuley Date 15/06/2021

Internal Size (mm):	W 1620	D 840	H 1812
---------------------	--------	-------	--------

External Size (mm):	W 1630	D 880	H 1820
---------------------	--------	-------	--------

Enclosure Weight: **72.500 kg**

Build: **S/Skin** Current **2** Rev: