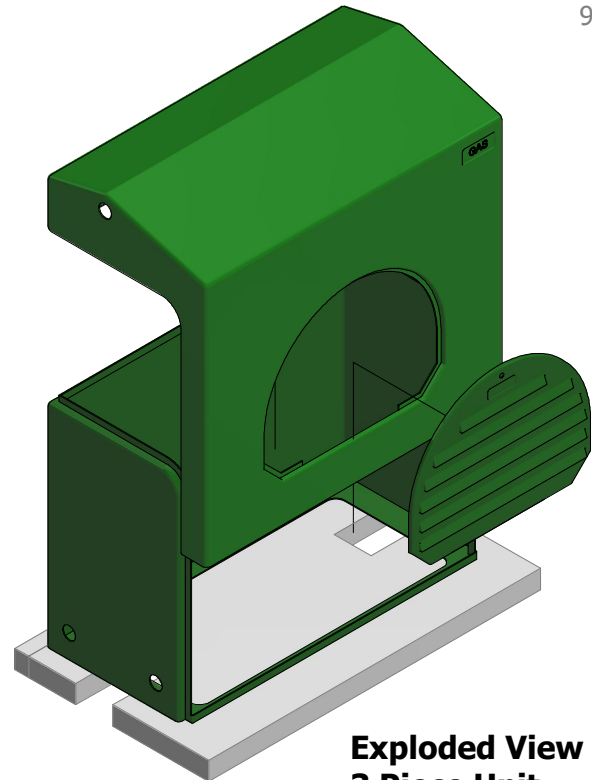


Do NOT Scale IF In Doubt - ASK!!

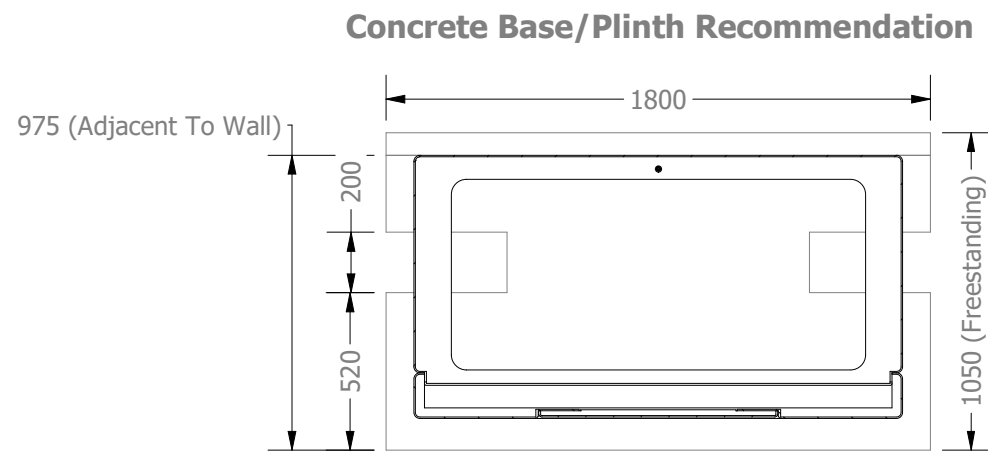
THIS DRAWING IS A PRIVATE AND CONFIDENTIAL COMMUNICATION AND THE PROPERTY OF KINGSLEY PLASTICS LTD. IT MUST NOT BE COPIED OR LOANED WITHOUT THE WRITTEN CONSENT OF KINGSLEY PLASTICS LTD AND MUST BE RETURNED IMMEDIATELY ON COMPLETION OF TENDER OR CONTRACT.

Revisions			
REV.	DESCRIPTION	DATE	APPROVED
1	FIRST ISSUE	05/02/18	DJD
2	ADDRESS, MISC UPDATES	15/06/21	MJRM

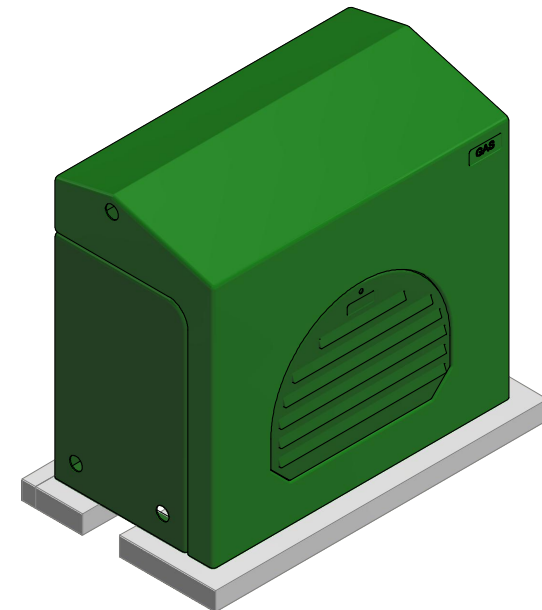
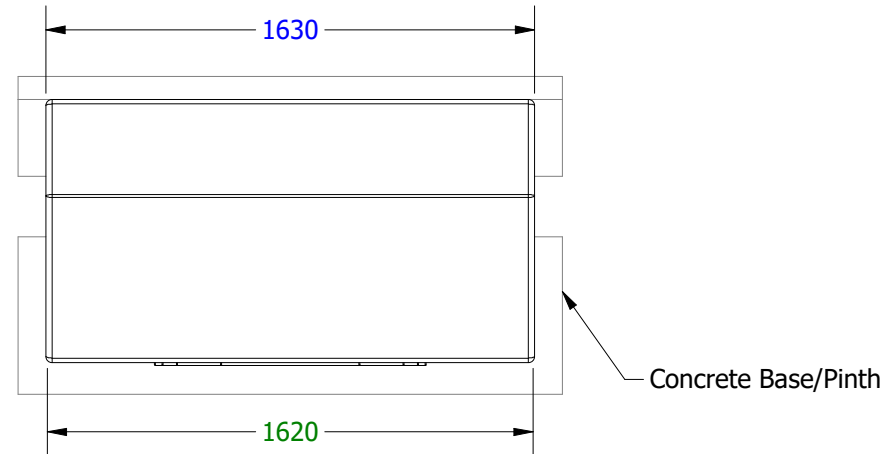
Notes:
Other Colours Available on Request



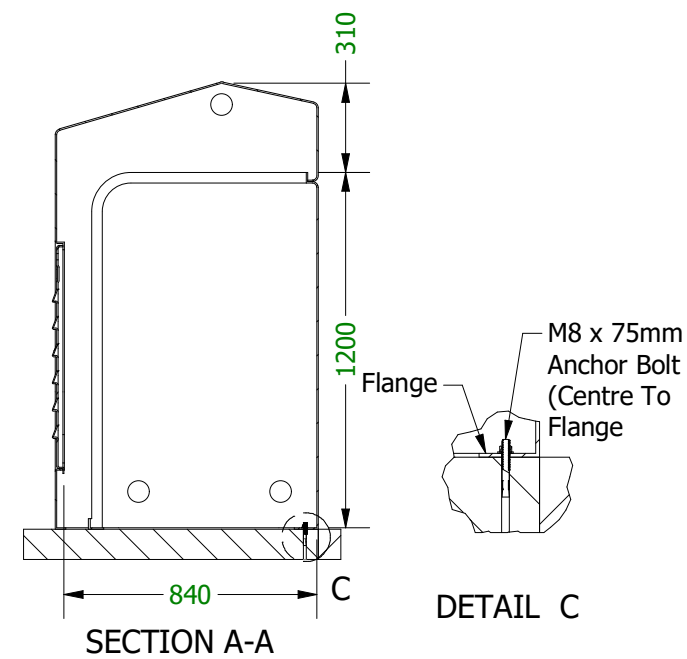
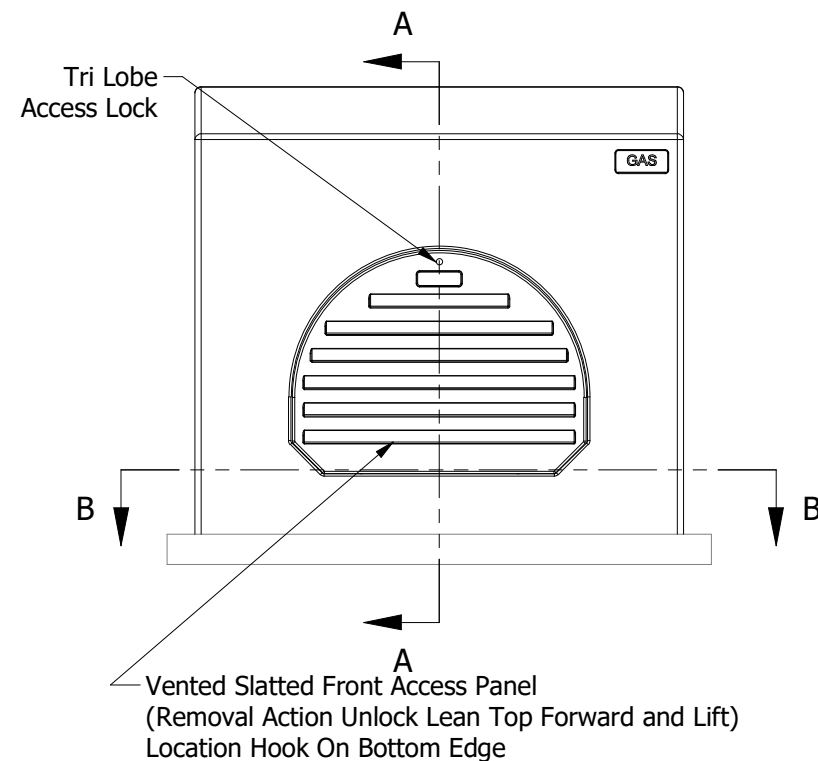
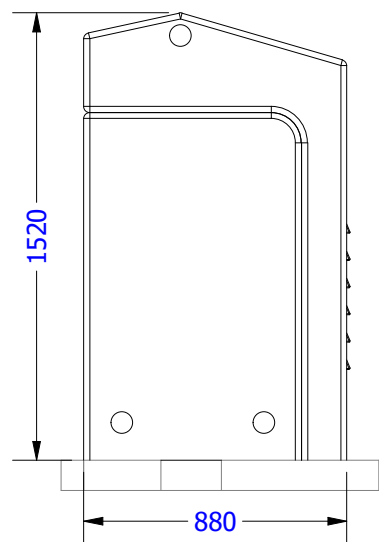
**Exploded View
3 Piece Unit**



SECTION B-B



Pictorial View



DETAIL C



Kingsley Plastics Limited, The Airfield, Winkleigh, Devon, EX19 8DW
T:01837 83154 sales@kingsleyplastics.co.uk
WWW.kingsleyplastics.co.uk

CARCASS

Surface Finish	Exterior Colour	Interior Colour
Smooth	RAL 6005	RAL 6005

ROOF

Surface Finish	Exterior Colour	Interior Colour
Smooth	RAL 6005	RAL 6005

DOOR SET

Surface Finish	Exterior Colour	Interior Colour
Smooth	RAL 6005	RAL 6005

Customer Details:

Customer:
Project Name:
Customer Ref:
Works Order No:

Specification Summary:

Construction:
GRP Three Piece

Overall Lock Specification Summary:
Quarter Turn Tri Lobe Cabinet Lock

Ventilation Specification Summary:
Free Air Flow 3% Floor Area

Roof Type:
Dual Pitch

Drawing Title

Gas Cabinet No. 6

Drawn By: Matt.McAuley	Date 15/06/2021		
Internal Size (mm):	W 1620	D 840	H See A-A
External Size (mm):	W 1630	D 880	H 1520
Enclosure Weight:	53.000 kg		

Build: S/Skin
Current Rev: 2