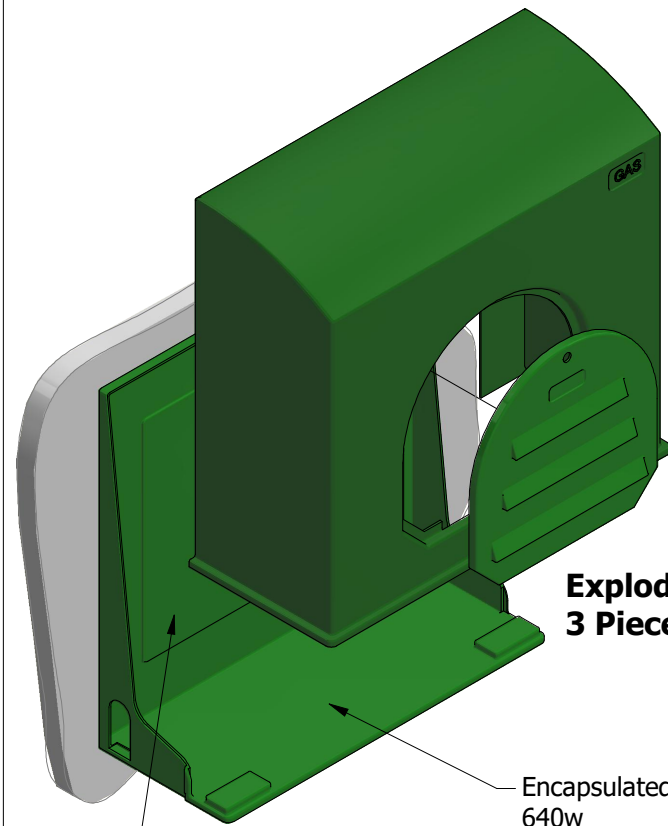


**Do NOT Scale IF In Doubt - ASK!!**

THIS DRAWING IS A PRIVATE AND CONFIDENTIAL COMMUNICATION AND THE PROPERTY OF KINGSLEY PLASTICS LTD. IT MUST NOT BE COPIED OR LOANED WITHOUT THE WRITTEN CONSENT OF KINGSLEY PLASTICS LTD AND MUST BE RETURNED IMMEDIATELY ON COMPLETION OF TENDER OR CONTRACT.

| Revisions |                       |          |          |
|-----------|-----------------------|----------|----------|
| REV.      | DESCRIPTION           | DATE     | APPROVED |
| 1         | FIRST ISSUE           | 05/02/18 | DJD      |
| 2         | ADDRESS, MISC UPDATES | 26/05/21 | MJRM     |

Notes:  
Other Colours Available on Request

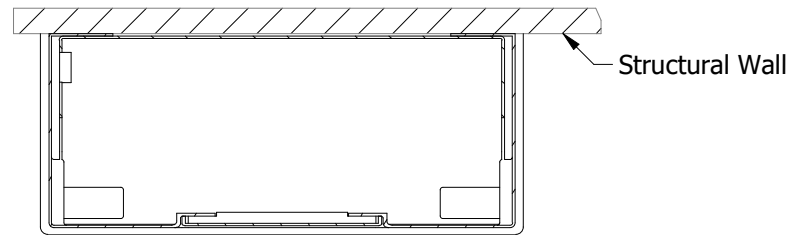


**Exploded View  
3 Piece Unit**

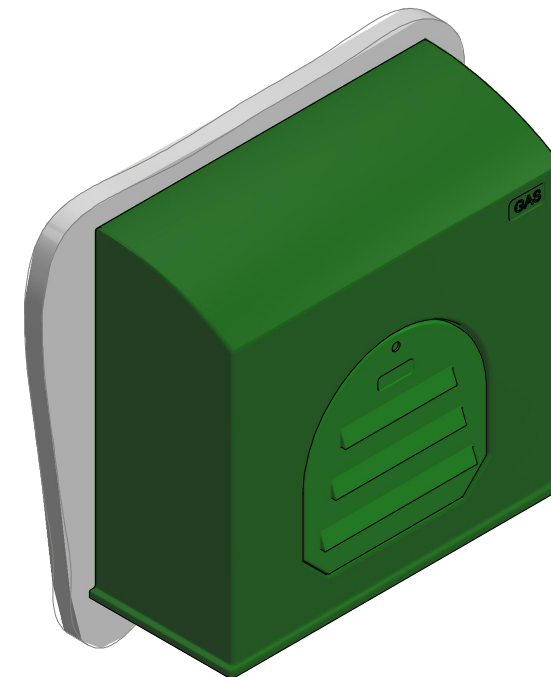
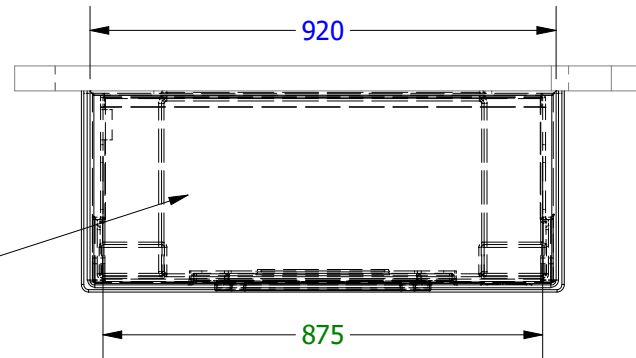
Encapsulated Ply Core  
590h x 640w

Encapsulated Ply Core  
640w

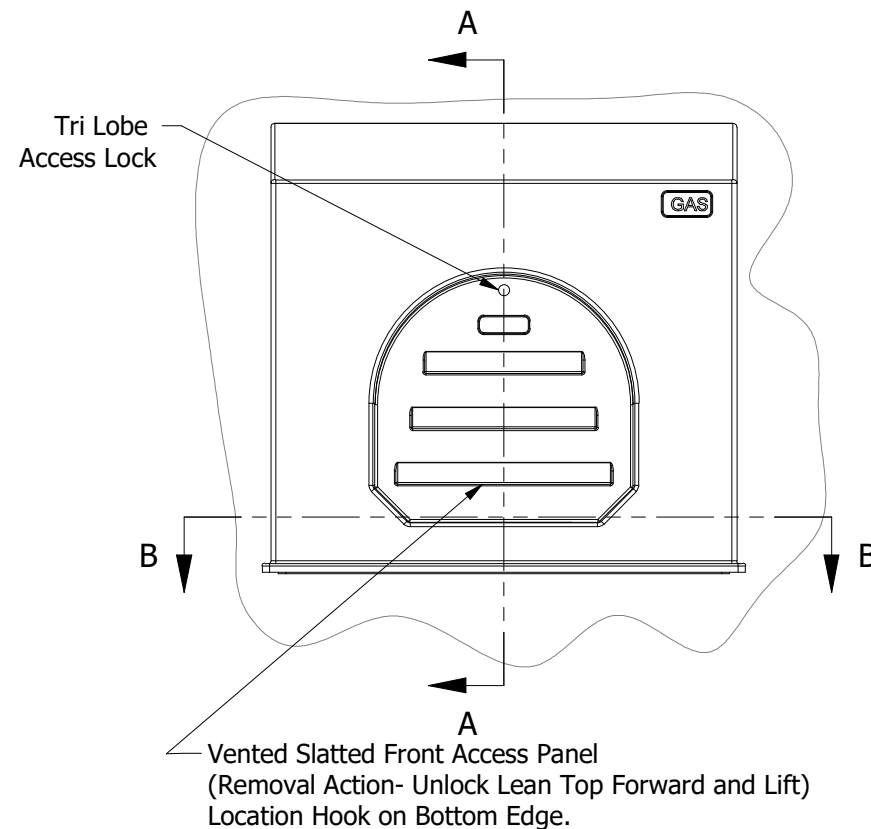
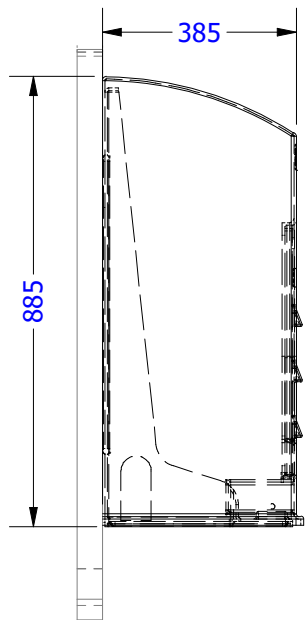
**Wall Mounting Plan**



**SECTION B-B**

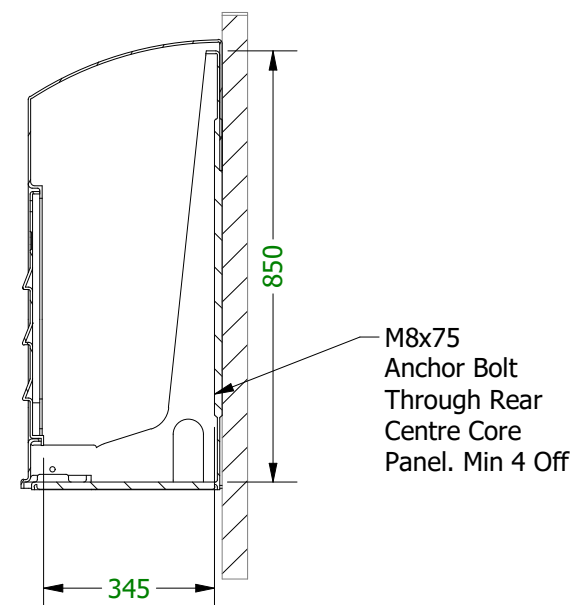


**Pictorial View**



Tri Lobe  
Access Lock

Vented Slatted Front Access Panel  
(Removal Action- Unlock Lean Top Forward and Lift)  
Location Hook on Bottom Edge.



**SECTION A-A**



Kingsley Plastics Limited, The Airfield, Winkleigh,  
Devon, EX19 8DW

T:01837 83154 sales@kingsleyplastics.co.uk  
WWW.kingsleyplastics.co.uk

**CARCASS**

| Surface Finish | Exterior Colour | Interior Colour |
|----------------|-----------------|-----------------|
| Smooth         | RAL 6005        | RAL 6005        |

**ROOF**

| Surface Finish | Exterior Colour | Interior Colour |
|----------------|-----------------|-----------------|
| Smooth         | RAL 6005        | RAL 6005        |

**DOOR SET**

| Surface Finish | Exterior Colour | Interior Colour |
|----------------|-----------------|-----------------|
| Smooth         | RAL 6005        | RAL 6005        |

**Customer Details:**

Customer:  
Project Name:  
Customer Ref:  
Works Order No:

**Specification Summary:**

Construction:  
GRP Three Piece

Overall Lock Specification Summary:  
Quarter Turn Tri Lobe Cabinet Lock

Ventilation Specification Summary:  
Free Air Flow 3% Floor Area

Roof Type:  
Curved Form

**Drawing Title**

**Gas Cabinet No.3 Wall Mounted**

Drawn By: Matt.McAuley Date 26/05/2021

|                     |              |              |              |
|---------------------|--------------|--------------|--------------|
| Internal Size (mm): | <b>W 875</b> | <b>D 345</b> | <b>H 850</b> |
| External Size (mm): | <b>W 920</b> | <b>D 385</b> | <b>H 885</b> |

Enclosure Weight: **17.500 kg**

Build: **S/Skin** Current **2**  
Rev: