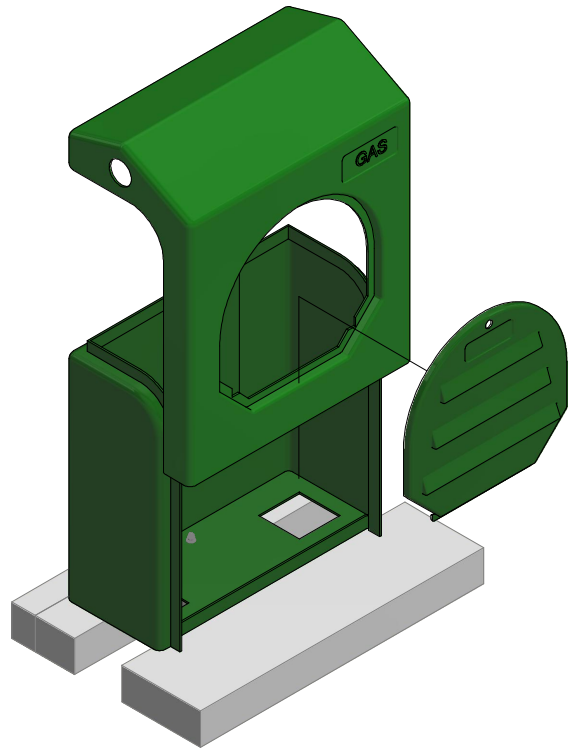


**Do NOT Scale IF In Doubt - ASK!!**

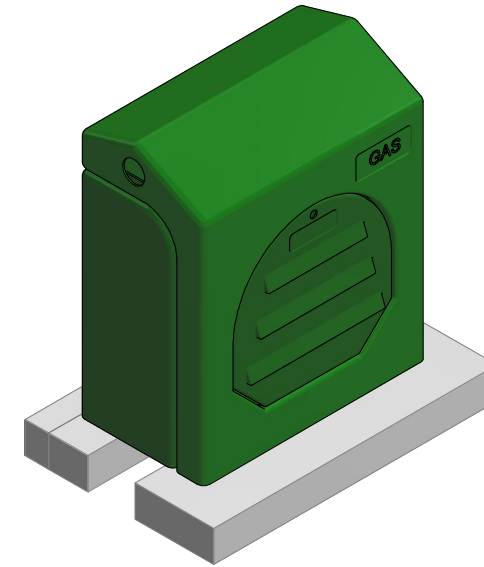
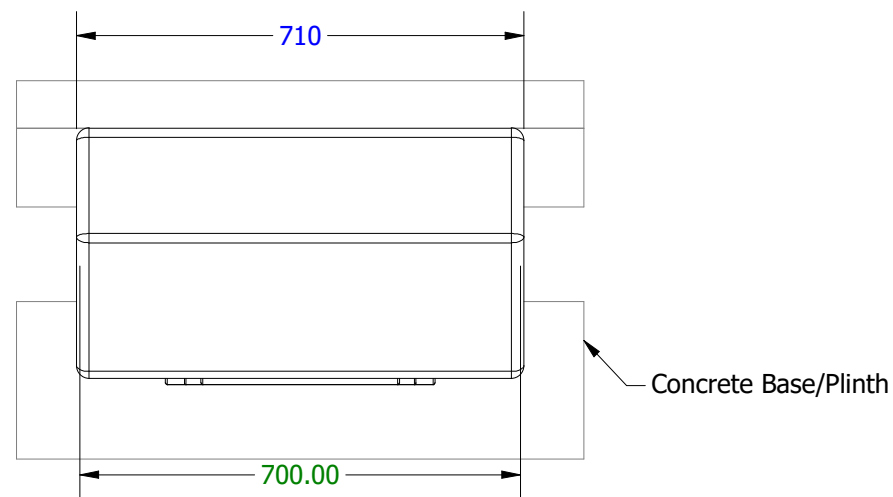
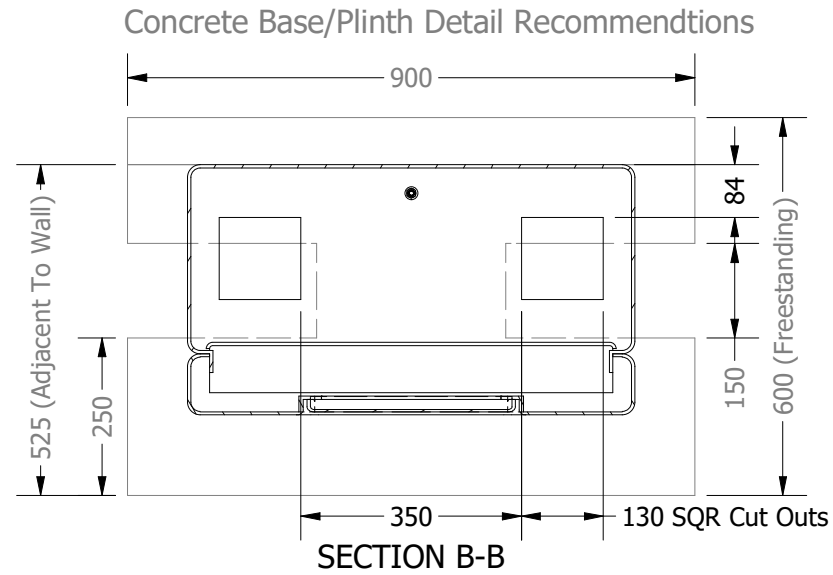
THIS DRAWING IS A PRIVATE AND CONFIDENTIAL COMMUNICATION AND THE PROPERTY OF KINGSLEY PLASTICS LTD. IT MUST NOT BE COPIED OR LOANED WITHOUT THE WRITTEN CONSENT OF KINGSLEY PLASTICS LTD AND MUST BE RETURNED IMMEDIATELY ON COMPLETION OF TENDER OR CONTRACT.

Revisions			
REV.	DESCRIPTION	DATE	APPROVED
1	FIRST ISSUE	05/02/18	DJD
2	ADDRESS, MISC UPDATES	26/05/21	MJRM

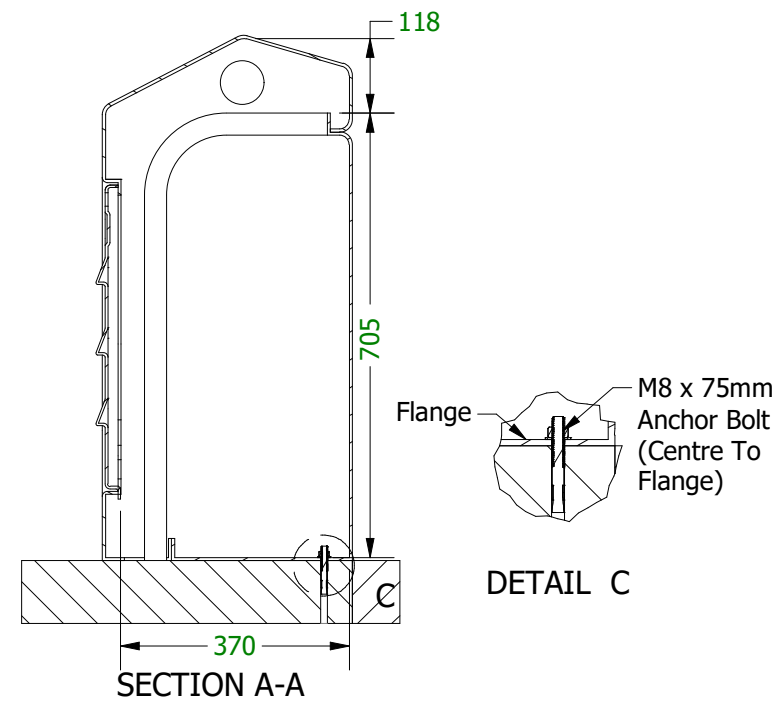
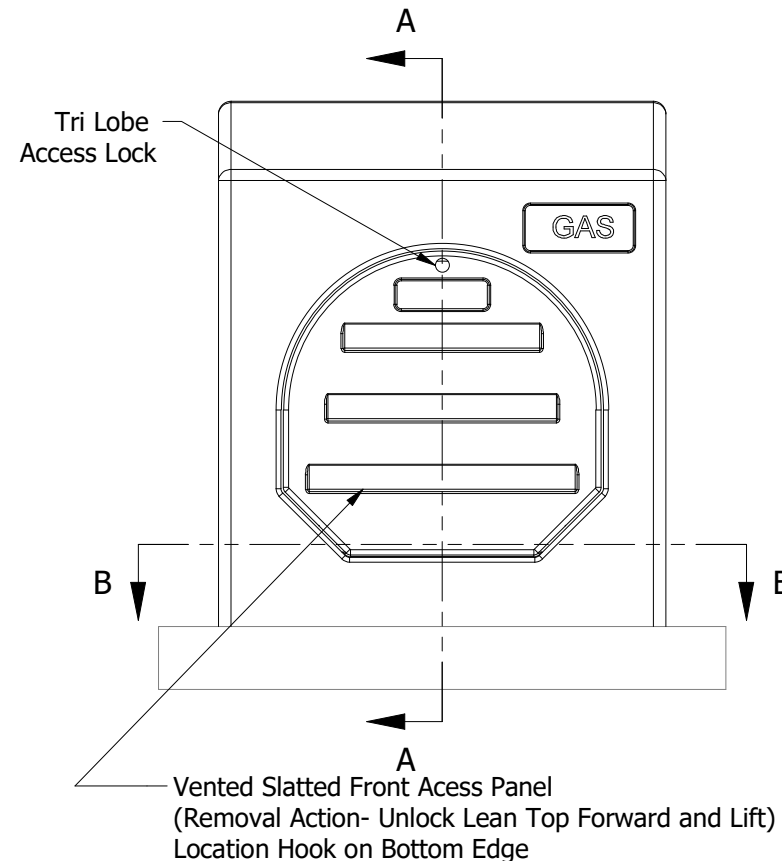
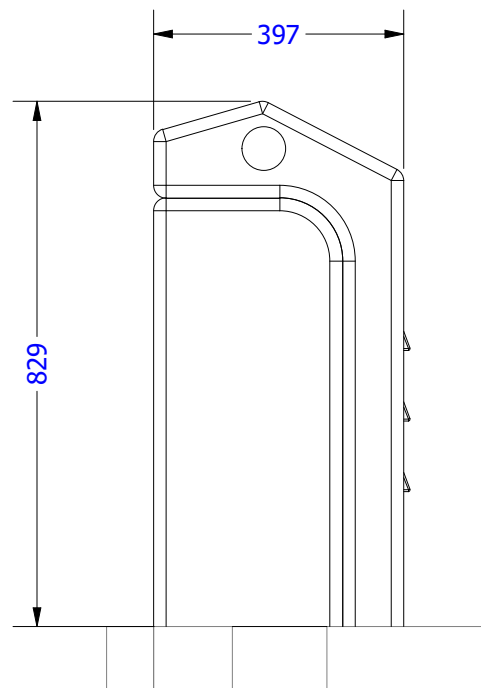
Notes:  
Other Colours Available on Request.



**Exploded View  
3 Piece Unit**



**Pictorial View**



Kingsley Plastics Limited, The Airfield, Winkleigh, Devon, EX19 8DW  
T:01837 83154 sales@kingsleyplastics.co.uk  
WWW.kingsleyplastics.co.uk

CARCASS		
Surface Finish	Exterior Colour	Interior Colour
Smooth	RAL 6005	RAL 6005

ROOF		
Surface Finish	Exterior Colour	Interior Colour
Smooth	RAL 6005	RAL 6005

DOOR SET		
Surface Finish	Exterior Colour	Interior Colour
Smooth	RAL 6005	RAL 6005

**Customer Details:**

Customer:  
Project Name:  
Customer Ref:  
Works Order No:

**Specification Summary:**

Construction:  
GRP Three Piece

Overall Lock Specification Summary:  
Quarter Turn Tri Lock Cabinet Lock

Ventilation Specification Summary:  
Free Air Flow 3% Floor Area

Roof Type:  
Dual Pitch

**Drawing Title**

**Gas Cabinet No. 2FS**

Drawn By: Matt.McAuley	Date 26/05/2021		
Internal Size (mm):	W 700	D 370	H See A-A
External Size (mm):	W 710	D 397	H 829
Enclosure Weight:	13.500 kg		
Build: S/Skin	Current 2 Rev:		