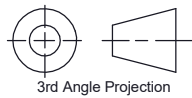


THIS DRAWING IS A PRIVATE AND CONFIDENTIAL COMMUNICATION AND THE PROPERTY OF KINGSLEY PLASTICS LTD. IT MUST NOT BE COPIED OR LOANED WITHOUT THE WRITTEN CONSENT OF KINGSLEY PLASTICS LTD AND MUST BE RETURNED IMMEDIATELY ON COMPLETION OF TENDER OR CONTRACT.



3rd Angle Projection

Do NOT Scale IF IN DOUBT - ASK !!

GENERAL MANUFACTURING TOLERANCES: (mm) LINEAR:

0 - 500mm +/- 1.0mm
500-2000mm +/- 1.50mm
2000mm + +/- 3.0mm

REVISIONS

REV.	DESCRIPTION	DATE	APPROVED
1	First Issue	05-02-18	
2	Heating and lighting removed	01-05-18	

NOTE :-

- OTHER COLOURS AVAILABLE ON REQUEST.
- CONTACT OUR SALES DEPARTMENT
- ALL FINISHES ARE SMOOTH, NOT TEXTURED.



KINGSLEY PLASTICS LTD

Western Barn Industrial Park, Hatherleigh Road, Winkleigh, Devon. EX19 8AP

T: 01837 83154 F: 01837 83529 Sales@kingsleyplastics.co.uk www.kingsleyplastics.co.uk

Standard Finish & Colour Specifications :-

CARCASS

SURFACE FINISH	EXTERIOR COLOUR	INTERIOR COLOUR
Smooth	RAL6005	RAL7035

ROOF

SURFACE FINISH	EXTERIOR COLOUR	INTERIOR COLOUR
Smooth	RAL6005	RAL7035

DOOR SET

SURFACE FINISH	EXTERIOR COLOUR	INTERIOR COLOUR
Smooth	RAL6005	RAL7035

Customer Details:

Customer: -
Project Name: -
Customer Ref: -
Customer Ref Rev: -

Specification Summary:

Construction :
Single Piece
Panel Construction / SR Rating :
-
Overall Door Specification Summary :
Single Skin
-
Overall Lock Specification Summary :
St/St Hasp & Staple
-
Overall Vent Specification Summary :
-
-
Roof Type & Construction :
4 way Pitch

Additional Notes :

Clear door opening access - 1834 x 1804mm. GRP thickness of 4mm generally and 6mm at stress points.

Drawing Title:

GRP Cabinet KD Range

Drawn By: DJD | First Drawn Date: 12.01.18

GRP Enclosure Weights & Dimensions:-

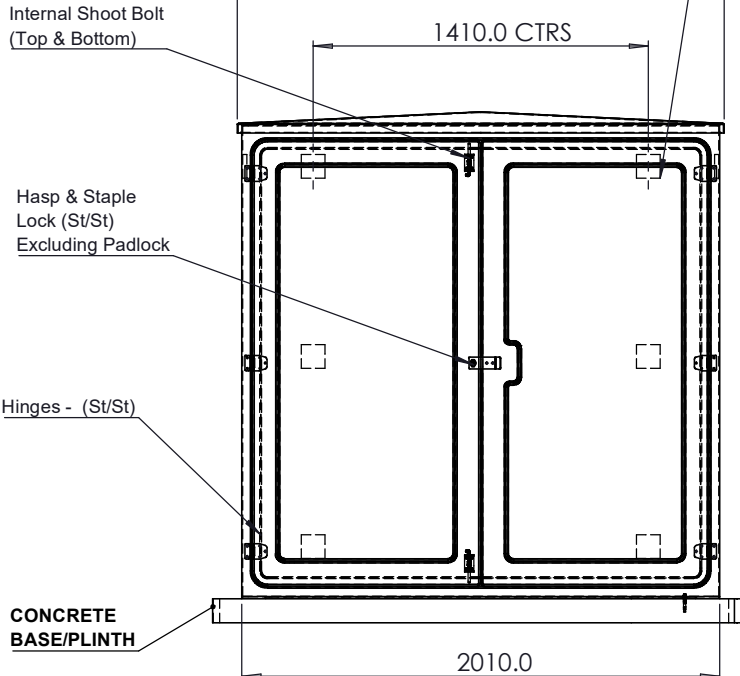
INTERNAL Size (m) :-	W 2004	D 931	H 1987
EXTERNAL Size (m) :-	W 2010	D 1000	H 2050
Enclosure Weight :-	115 Kg		

Drawing / Part No:

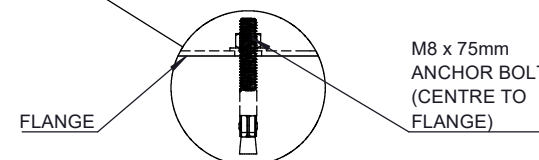
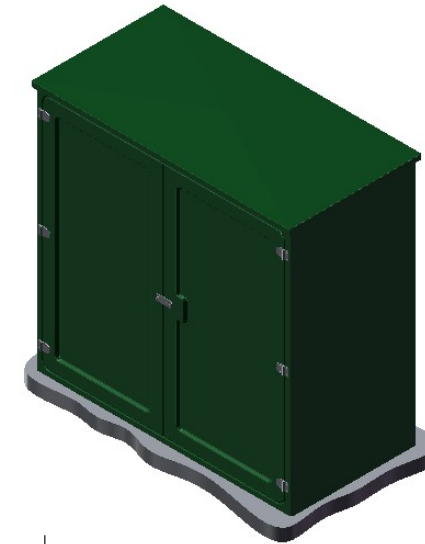
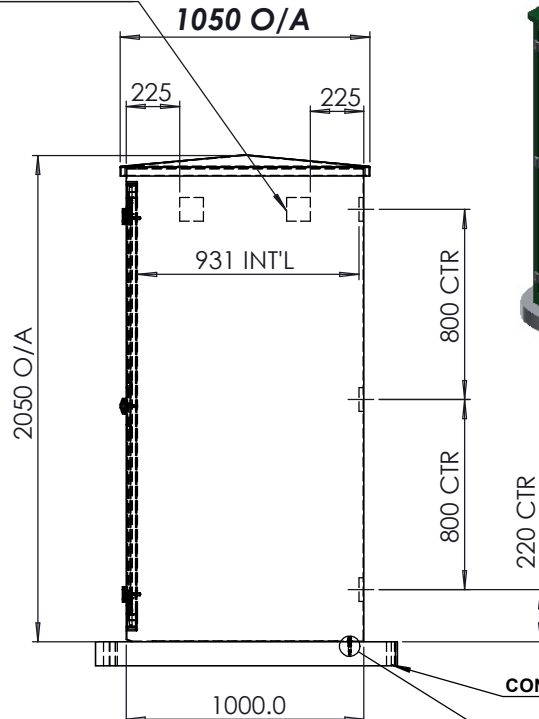
KD10

Current Rev:

2



ENCAPSULATED WOODEN MOUNTING PADS x 8



TYPICAL " BOLT DOWN" DETAIL

- CABINET OPTIONS**
- Varnished Backboard
 - Yale Type Lock
 - S/S Hasp & Staple
 - 3 Way Lock c/w L-Handle
 - Ventilation
 - Cable Entry Flaps

Drawing Type:-
OVERVIEW
Sheet :-
1 OF 1