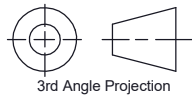


THIS DRAWING IS A PRIVATE AND CONFIDENTIAL COMMUNICATION AND THE PROPERTY OF KINGSLEY PLASTICS LTD. IT MUST NOT BE COPIED OR LOANED WITHOUT THE WRITTEN CONSENT OF KINGSLEY PLASTICS LTD AND MUST BE RETURNED IMMEDIATELY ON COMPLETION OF TENDER OR CONTRACT.



3rd Angle Projection

Do NOT Scale IF IN DOUBT - ASK !!

GENERAL MANUFACTURING TOLERANCES: (mm) LINEAR:

0 - 500mm +/- 1.0mm
500-2000mm +/- 1.50mm
2000mm + +/- 3.0mm

REVISIONS

| REV. | DESCRIPTION | DATE | APPROVED |
|------|-------------|----------|----------|
| 1 | First Issue | 05-02-18 | |

NOTE :-

- OTHER COLOURS AVAILABLE ON REQUEST.
- CONTACT OUR SALES DEPARTMENT
- ALL FINISHES ARE SMOOTH, NOT TEXTURED.



KINGSLEY PLASTICS LTD

Western Barn Industrial Park, Hatherleigh Road, Winkleigh, Devon. EX19 8AP

T: 01837 83154 F: 01837 83529 Sales@kingsleyplastics.co.uk www.kingsleyplastics.co.uk

Standard Finish & Colour Specifications :-

CARCASS

| SURFACE FINISH | EXTERIOR COLOUR | INTERIOR COLOUR |
|----------------|-----------------|-----------------|
| Smooth | RAL 6005 | RAL 6005 |

ROOF

| SURFACE FINISH | EXTERIOR COLOUR | INTERIOR COLOUR |
|----------------|-----------------|-----------------|
| Smooth | RAL 6005 | RAL 6005 |

DOOR SET

| SURFACE FINISH | EXTERIOR COLOUR | INTERIOR COLOUR |
|----------------|-----------------|-----------------|
| Smooth | RAL 6005 | RAL 6005 |

Customer Details:

Customer: -
Project Name: -
Customer Ref: -
Customer Ref Rev: -

Specification Summary:

Construction :
GRP_Four Piece
Panel Construction / SR Rating :
Single Skin
Overall Door Specification Summary :
Single Skin_Louvered
-
Overall Lock Specification Summary :
Quarter Turn_Tri Lobe Cabinet Lock
-
Overall Vent Specification Summary :
63 Dia As shown.
-
Roof Type & Construction :
Angled

Additional Notes :
GRP CONSTRUCTION - FREE AIR FLOW - 3% FLOOR AREA.

Drawing Title:
Gas Cabinet with Plinth
No. 7+
Standard_Floor Standing

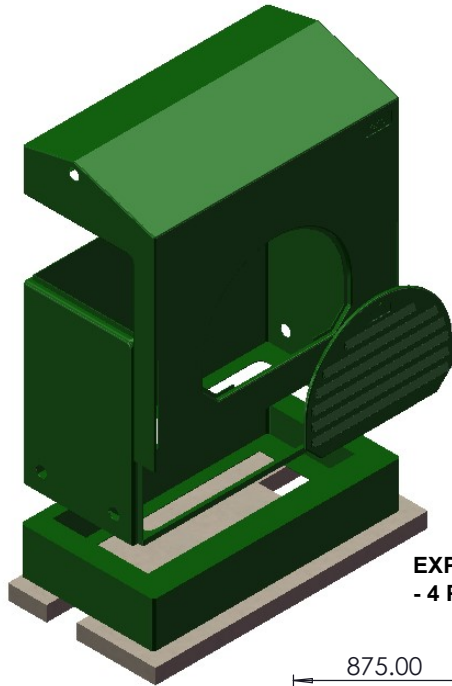
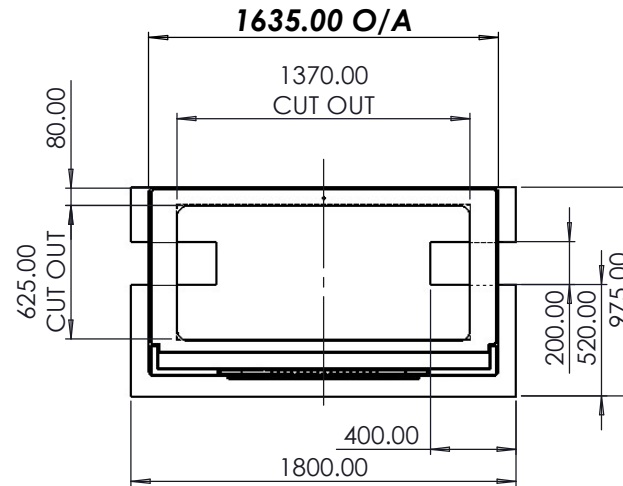
Drawn By: DJD | First Drawn Date: 05.02.18

| GRP Enclosure Weights & Dimensions:- | | | |
|--------------------------------------|--------|-------|--------|
| INTERNAL Size (m) :- | W 1610 | D 866 | H 1811 |
| EXTERNAL Size (m) :- | W 1620 | D 875 | H 1815 |

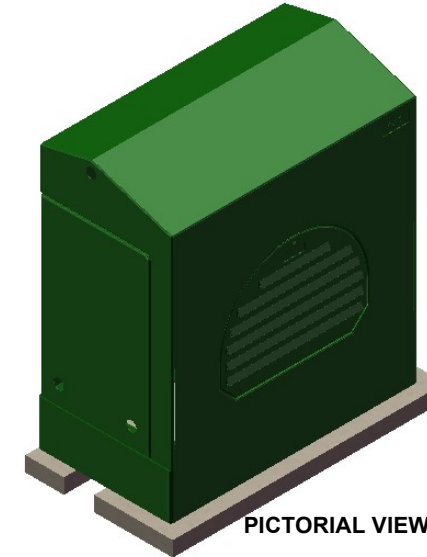
Enclosure Weight :- **72.5 Kg**

Drawing / Part No:
Gas Cabinet No. 7+ Current Rev: **2**

SECTION E-E

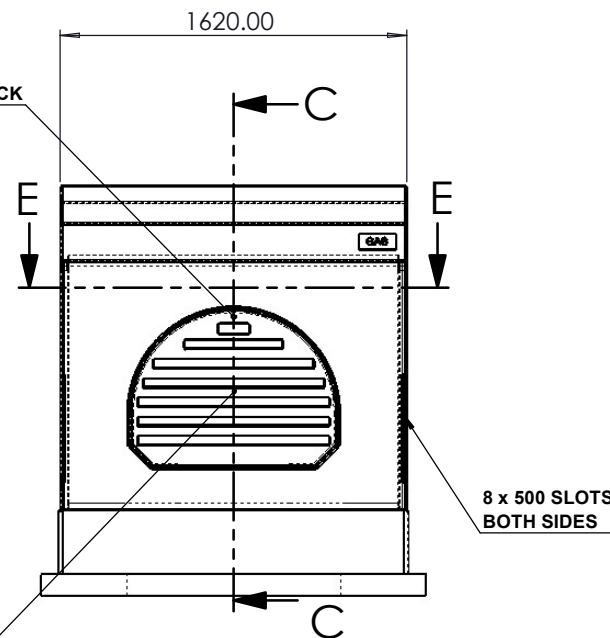


EXPLODED VIEW - 4 PIECE UNIT

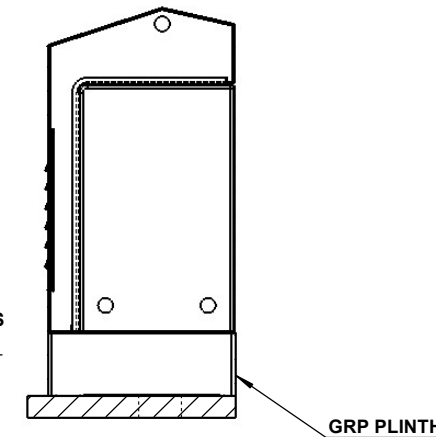


PICTORIAL VIEW

TRI LOBE ACCESS LOCK



SECTION C-C



GRP PLINTH

VENTED SLATTED FRONT ACCESS PANEL (nom. 965 x 735mm)
(REMOVAL ACTION - UNLOCK LEAN TOP FORWARD AND LIFT)
- LOCATION HOOK ON BOTTOM EDGE.

Drawing Type:-

OVERVIEW

Sheet :-

1 OF 1