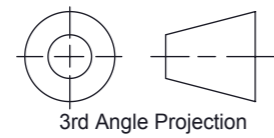


THIS DRAWING IS A PRIVATE AND CONFIDENTIAL COMMUNICATION AND THE PROPERTY OF KINGSLEY PLASTICS LTD. IT MUST NOT BE COPIED OR LOANED WITHOUT THE WRITTEN CONSENT OF KINGSLEY PLASTICS LTD AND MUST BE RETURNED IMMEDIATELY ON COMPLETION OF TENDER OR CONTRACT.



3rd Angle Projection

**Do NOT Scale IF IN DOUBT - ASK !!**

GENERAL MANUFACTURING TOLERANCES: (mm)  
LINEAR:

0 - 500mm +/- 1.0mm  
500-2000mm +/- 1.50mm  
2000mm + +/- 3.0mm

**REVISIONS**

| REV. | DESCRIPTION | DATE     | APPROVED |
|------|-------------|----------|----------|
| 1    | First Issue | 05-02-18 |          |

**NOTE :-**

- OTHER COLOURS AVAILABLE ON REQUEST.  
- CONTACT OUR SALES DEPARTMENT  
- ALL FINISHES ARE SMOOTH, NOT TEXTURED.

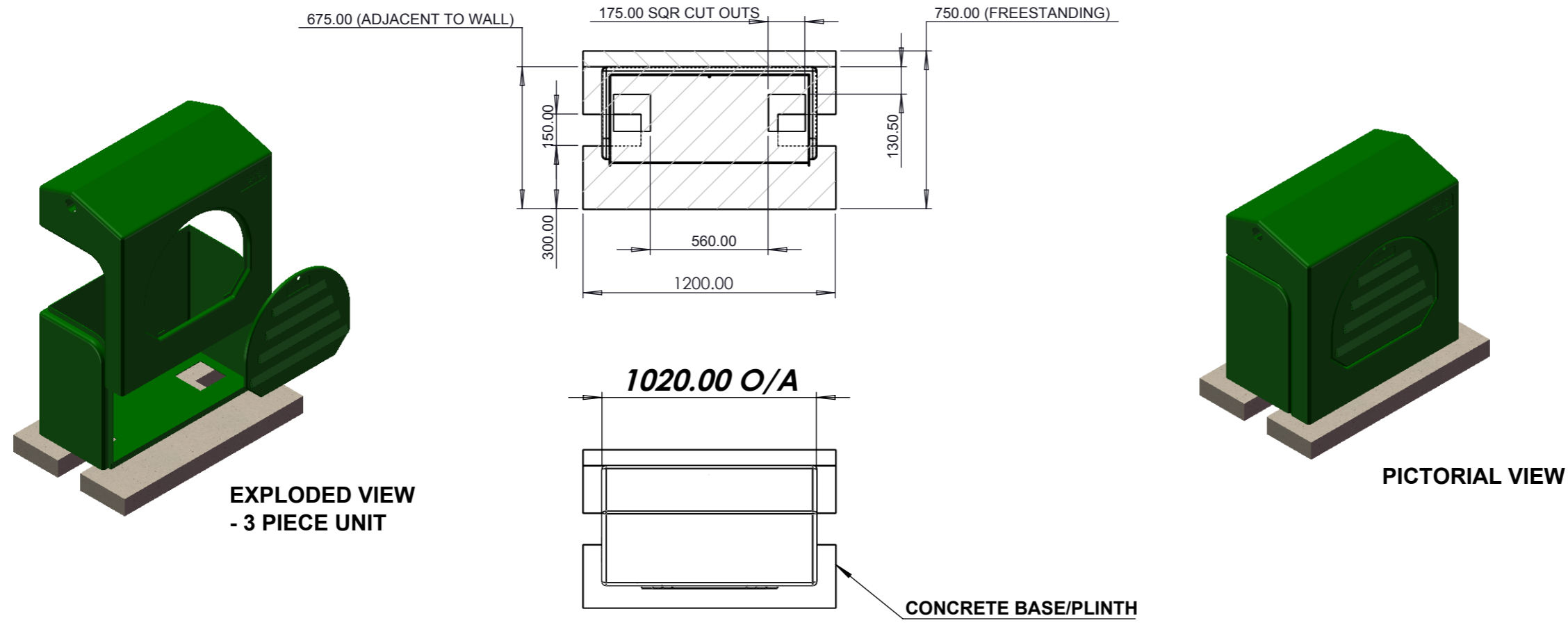


**KINGSLEY PLASTICS LTD**

Western Barn Industrial Park, Hatherleigh Road, Winkleigh, Devon. EX19 8AP

T: 01837 83154 F: 01837 83529 Sales@kingsleyplastics.co.uk www.kingsleyplastics.co.uk

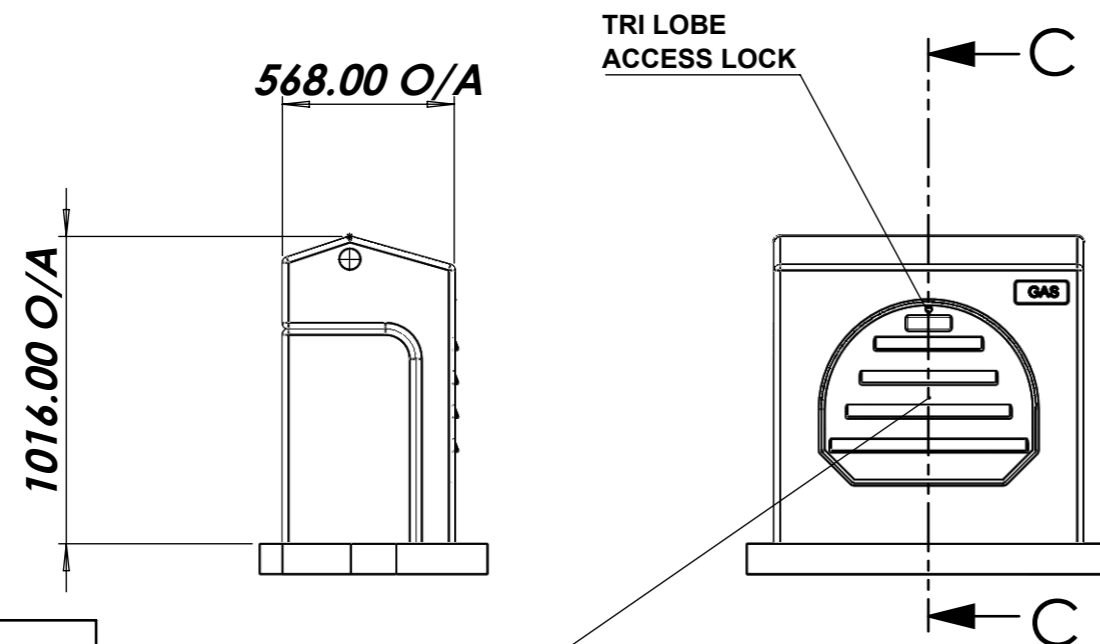
**CONCRETE BASE /PLINTH DETAIL**



**EXPLODED VIEW - 3 PIECE UNIT**

**PICTORIAL VIEW**

**CONCRETE BASE/PLINTH**



TRI LOBE ACCESS LOCK

**SECTION C-C**

FLANGE  
M8 x 75mm ANCHOR BOLT (CENTRE TO FLANGE)

**TYPICAL " BOLT DOWN" DETAIL**

**CONCRETE BASE/PLINTH**

**VENTED SLATTED FRONT ACCESS PANEL (REMOVAL ACTION - UNLOCK LEAN TOP FORWARD AND LIFT) - LOCATION HOOK ON BOTTOM EDGE.**

**Standard Finish & Colour Specifications :-**

**CARCASS**

| SURFACE FINISH | EXTERIOR COLOUR | INTERIOR COLOUR |
|----------------|-----------------|-----------------|
| Smooth         | RAL 6005        | RAL 6005        |

**ROOF**

| SURFACE FINISH | EXTERIOR COLOUR | INTERIOR COLOUR |
|----------------|-----------------|-----------------|
| Smooth         | RAL 6005        | RAL 6005        |

**DOOR SET**

| SURFACE FINISH | EXTERIOR COLOUR | INTERIOR COLOUR |
|----------------|-----------------|-----------------|
| Smooth         | RAL 6005        | RAL 6005        |

**Customer Details:**

Customer: -  
Project Name: -  
Customer Ref: -  
Customer Ref Rev: -

**Specification Summary:**

Construction :  
**GRP - Three Piece**  
Panel Construction / SR Rating :  
**Single Skin**  
Overall Door Specification Summary :  
**Single Skin\_Louvered**  
-  
Overall Lock Specification Summary :  
**Quarter Turn \_ Tri Lobe Cabinet Lock**  
-  
Overall Vent Specification Summary :  
**63 Dia As shown.**  
-  
Roof Type & Construction :  
**Angled**

**Additional Notes :**

**GRP CONSTRUCTION - FREE AIR FLOW - 3% FLOOR AREA.**

Drawing Title:  
**Gas Cabinet No. 4 Standard\_Floor Standing**

Drawn By: DJD First Drawn Date: 08.02.18

**GRP Enclosure Weights & Dimensions:-**

| INTERNAL Size (m) :- | W 1010 | D 558 | H 1005 |
|----------------------|--------|-------|--------|
|----------------------|--------|-------|--------|

| EXTERNAL Size (m) :- | W 1020 | D 568 | H 1016 |
|----------------------|--------|-------|--------|
|----------------------|--------|-------|--------|

Enclosure Weight :- **23 Kg**

Drawing / Part No:  
**Gas Cabinet No. 4**

Current Rev: **1**

Drawing Type:-  
**OVERVIEW**  
Sheet :-  
**1 OF 1**