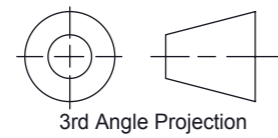


THIS DRAWING IS A PRIVATE AND CONFIDENTIAL COMMUNICATION AND THE PROPERTY OF KINGSLEY PLASTICS LTD. IT MUST NOT BE COPIED OR LOANED WITHOUT THE WRITTEN CONSENT OF KINGSLEY PLASTICS LTD AND MUST BE RETURNED IMMEDIATELY ON COMPLETION OF TENDER OR CONTRACT.



3rd Angle Projection

Do NOT Scale IF IN DOUBT - ASK !!

GENERAL MANUFACTURING TOLERANCES: (mm)
LINEAR:

0 - 500mm +/- 1.0mm
500-2000mm +/- 1.50mm
2000mm + +/- 3.0mm

REVISIONS

REV.	DESCRIPTION	DATE	APPROVED
1	First Issue	05-02-18	

NOTE :-

- OTHER COLOURS AVAILABLE ON REQUEST.
- CONTACT OUR SALES DEPARTMENT
- ALL FINISHES ARE SMOOTH, NOT TEXTURED.



KINGSLEY PLASTICS LTD

Western Barn Industrial Park, Hatherleigh Road, Winkleigh, Devon, EX19 8AP

T: 01837 83154 F: 01837 83529 Sales@kingsleyplastics.co.uk
www.kingsleyplastics.co.uk

Standard Finish & Colour Specifications :-

CARCASS

SURFACE FINISH	EXTERIOR COLOUR	INTERIOR COLOUR
Smooth	RAL 6005	RAL 6005

ROOF

SURFACE FINISH	EXTERIOR COLOUR	INTERIOR COLOUR
Smooth	RAL 6005	RAL 6005

DOOR SET

SURFACE FINISH	EXTERIOR COLOUR	INTERIOR COLOUR
Smooth	RAL 6005	RAL 6005

Customer Details:

Customer: -
Project Name: -
Customer Ref: -
Customer Ref Rev: -

Specification Summary:

Construction :
GRP - Three Piece
Panel Construction / SR Rating :
Single Skin
Overall Door Specification Summary :
Single Skin_Louvered
Overall Lock Specification Summary :
Quarter Turn _ Tri Lobe Cabinet Lock
Overall Vent Specification Summary :
-
Roof Type & Construction :
Curved Form

Additional Notes :

GRP CONSTRUCTION - FREE AIR FLOW - 3% FLOOR AREA.

Drawing Title:

**Gas Cabinet No. 2
Standard_Wall Mounted**

Drawn By: DJD | First Drawn Date: 08.02.18

GRP Enclosure Weights & Dimensions:-

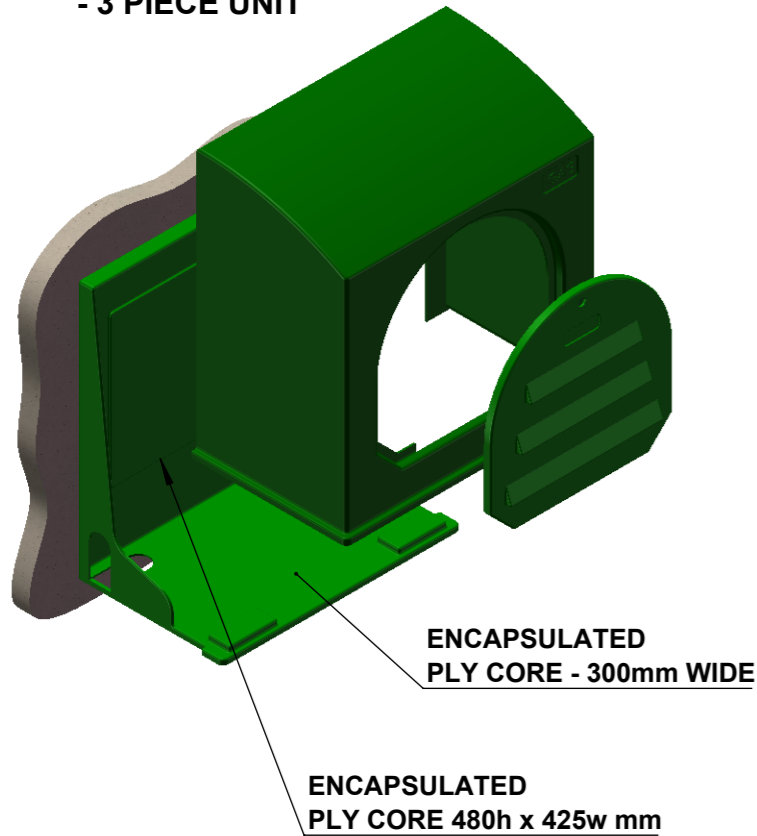
INTERNAL Size (m) :-	W 635	D 399	H 740
EXTERNAL Size (m) :-	W 700	D 420	H 728
Enclosure Weight :-	12.5 Kg		

Drawing / Part No:

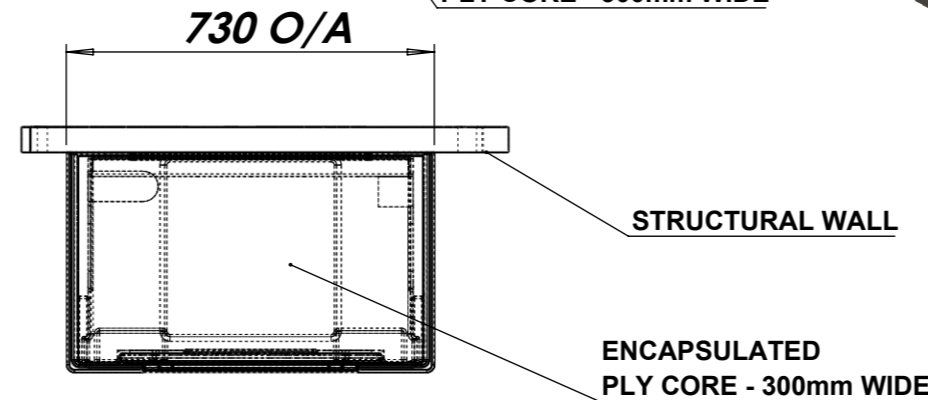
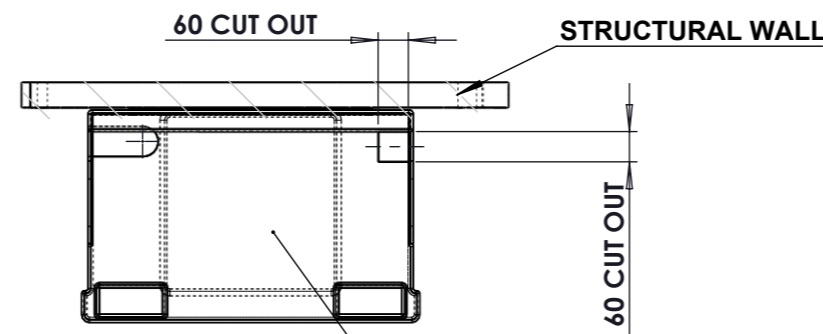
Gas Cabinet No. 2WM

Current Rev: **1**

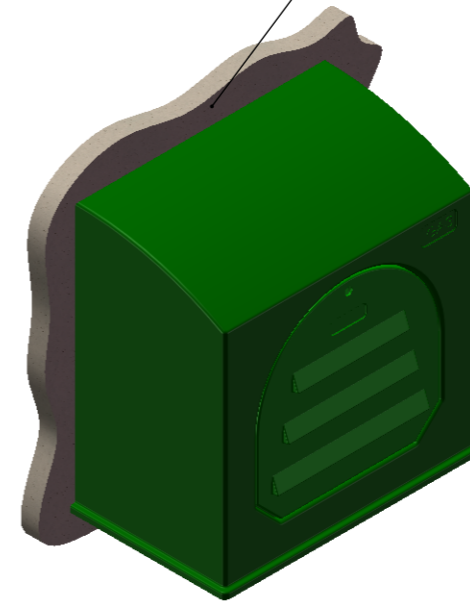
EXPLODED VIEW - 3 PIECE UNIT



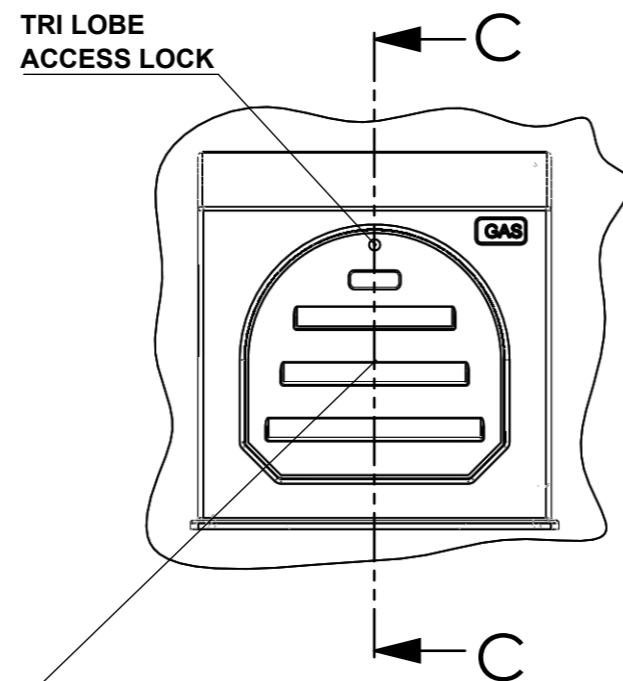
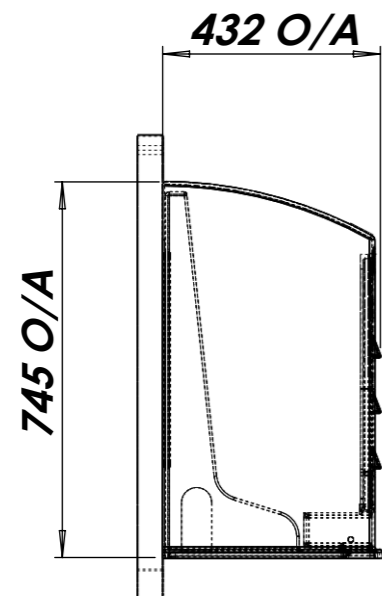
WALL MOUNTING - PLAN



STRUCTURAL WALL

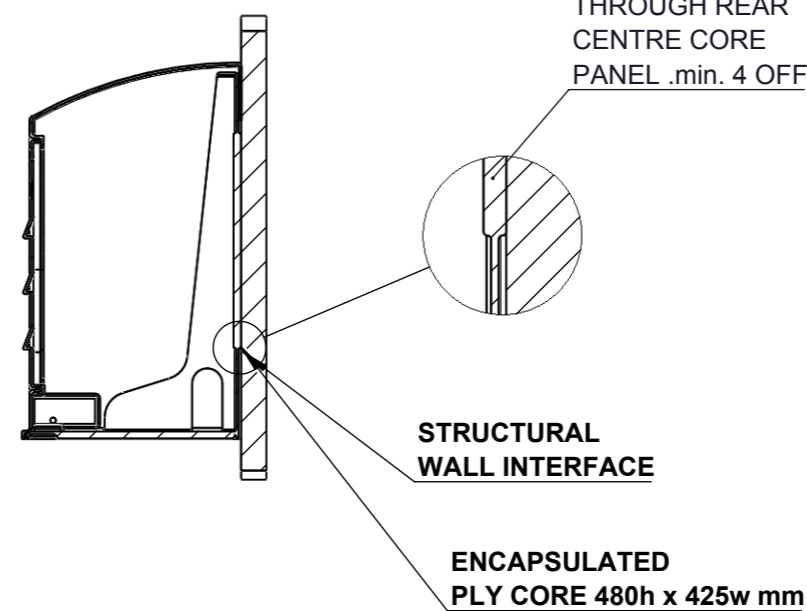


PICTORIAL VIEW



VENTED SLATTED FRONT ACCESS PANEL (REMOVAL ACTION - UNLOCK LEAN TOP FORWARD AND LIFT) - LOCATION HOOK ON BOTTOM EDGE.

SECTION C-C



Drawing Type:-

OVERVIEW

Sheet :-

1 OF 1